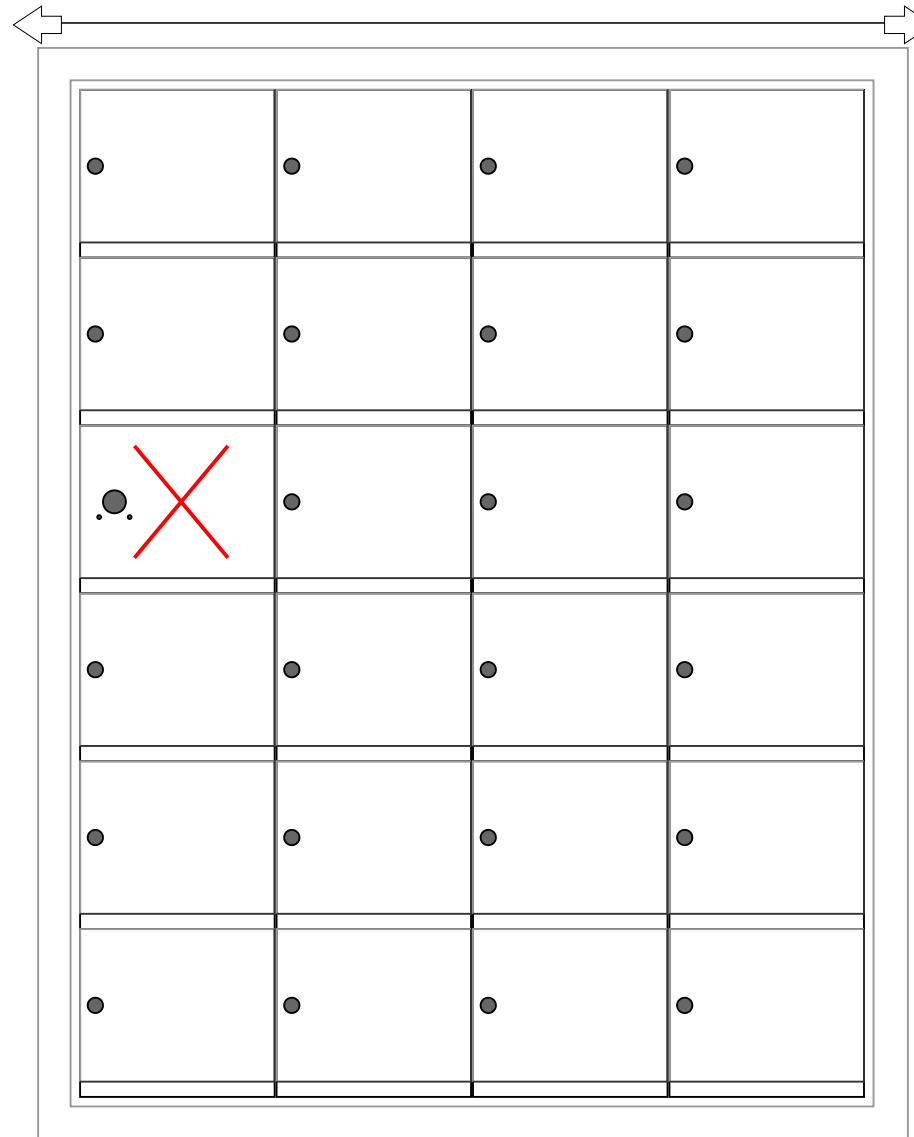


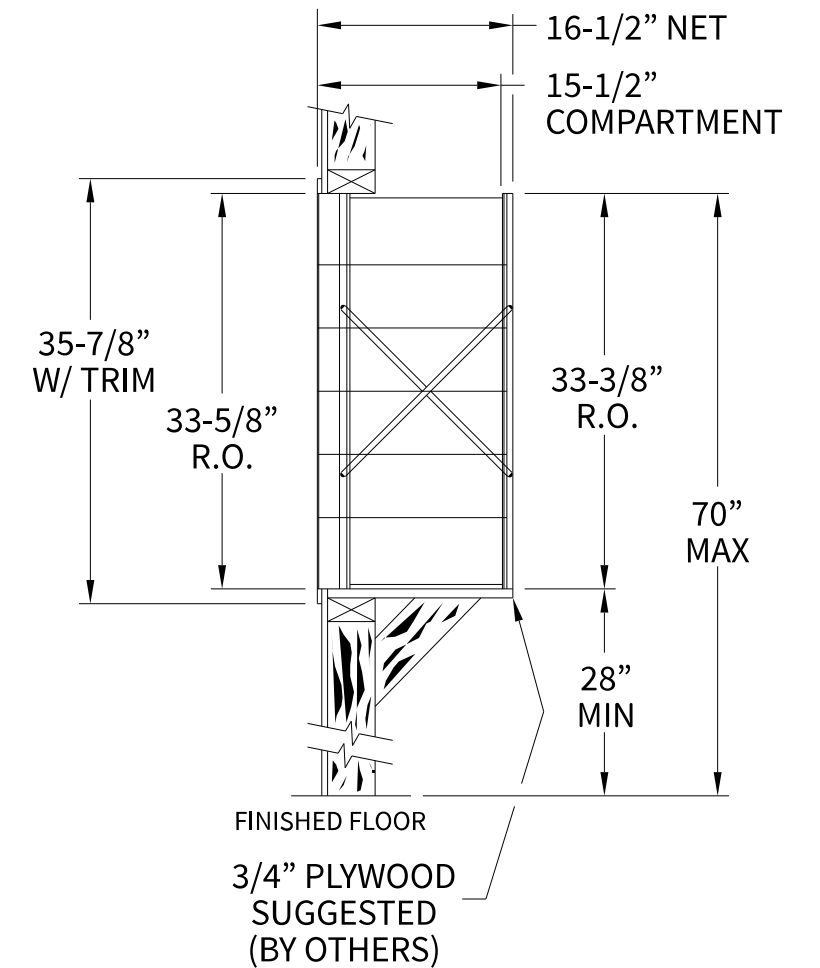
**140064 Dimensions**

Overall Width w/ Trim: 29-3/4"  
(Rough Opening: 27-1/2")



**140064**

**Side View**



**Configuration Details:**

- 1. **Product Type:** 1400 Horizontal
- 2. **Installation:** Front-load, Recessed Mount
- 3. **Finish:** Anodized Aluminum
- 4. **Locks:** Standard Cam Lock, 2 keys
- 5. **Door Id:** tbd
- 6. **Master Door:** tbd

Matching standard snap-on trim included

**Models Used:**

(1) 140064

**DO NOT SCALE OFF DRAWING**

**Door Sizes Used:**

(23) 1400 1x1 Compartment  
(1) 1x1 Master

**ELEVATION:** 140064 | **MAILBOXES:** 23 |

**PROJECT NAME:** 1400 Series Mailbox

**DRAWN BY:** FLORENCE



**BudgetMailboxes**  
Best Brands. Best Prices. .com

WebLife Stores LLC  
PO Box 20338, Panama City Beach, FL 32417  
www.budgetmailboxes.com • (866) 707-0008

**DATE:** 01-15-2016

**P.O. NO:**

**SCALE:** NONE

**QUOTE NO:**

**DRAWING NO.** WEB-1933

**SHEET 1 OF 1**