

**MAINTENANCE MANUAL
HIGH SECURITY
METAL CBU TYPES I, II, III, AND IV**

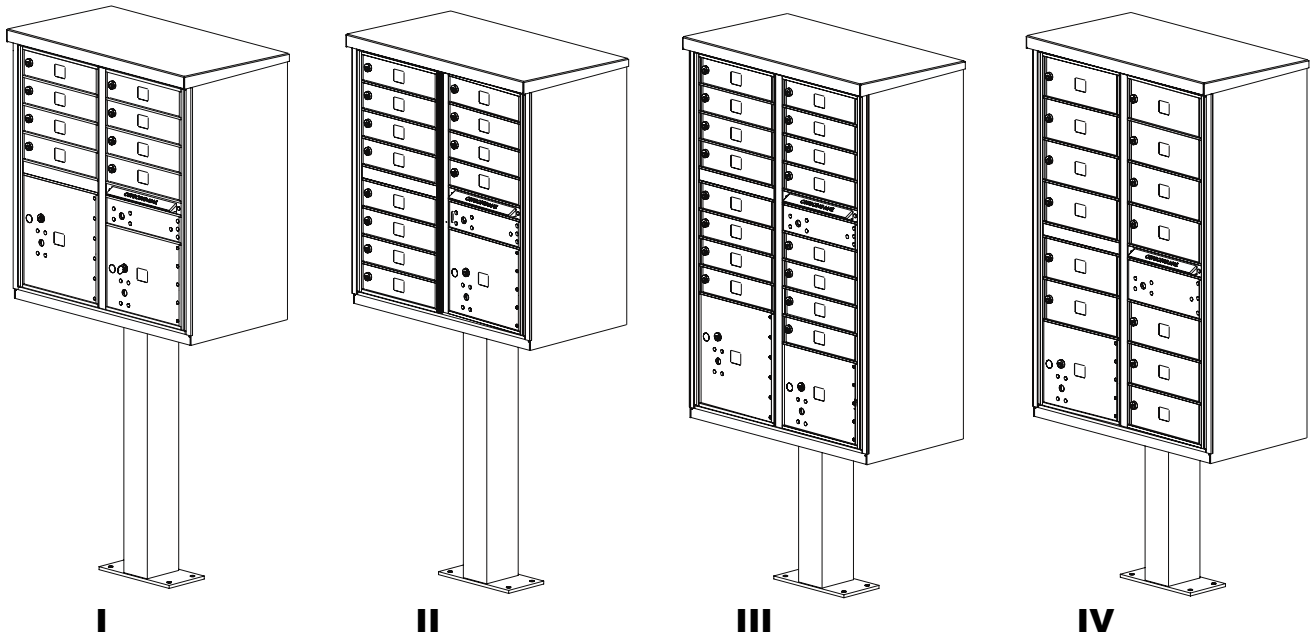
AUTH AF FLORENCE
M A N U F A C T U R I N G
A FLORENCE COMPANY

5935 CORPORATE DRIVE
MANHATTAN, KANSAS 66503

Ph. 800-275-1747
Fax. 800-275-5081

www.auth-florence.com

YOUR ISO 9001 MAILBOX SUPPLIER



	TYPE I	TYPE II	TYPE III	TYPE IV
INSTALLED HEIGHT	62"	62"	62"	62"
DEPTH	17.5"	17.5"	17.5"	17.5"
WIDTH	28.5"	28.5"	28.5"	28.5"
WEIGHT (WITHOUT PEDESTAL)	125 LBS	121 LBS	153 LBS	146 LBS
WEIGHT (WITH PEDESTAL)	148 LBS	144 LBS	168 LBS	161 LBS
QTY OF STANDARD COMPARTMENTS	8	12	16	13
QTY OF PARCEL COMPARTMENTS	2	1	2	1
PARCEL COMPARTMENT HEIGHT	10", 13"	10"	10", 13"	10"

TABLE OF CONTENTS

<i>DESCRIPTION</i>	<i>PAGE</i>
<i>REPLACEMENT OF MASTER LOADING DOOR HOLD OPEN MECHANISM</i>	<i>4</i>
<i>REMOVAL OF INSERT ASSEMBLY</i>	<i>6</i>
<i>REPLACEMENT OF MASTER LOADING DOOR</i>	<i>8</i>
<i>REPLACEMENT OF HINGE ROD</i>	<i>10</i>
<i>REPLACEMENT OF RIGHT SIDE PATRON COMPARTMENT DOOR</i>	<i>12</i>
<i>REPLACEMENT OF ARROW LOCK DOOR</i>	<i>14</i>
<i>REPLACEMENT OF RIGHT SIDE PARCEL DOOR</i>	<i>16</i>
<i>REPLACEMENT OF LEFT SIDE PATRON COMPARTMENT DOOR</i>	<i>18</i>
<i>REPLACEMENT OF LEFT SIDE PARCEL DOOR</i>	<i>20</i>
<i>REPLACEMENT OF 910A PATRON LOCK</i>	<i>22</i>
<i>REPLACEMENT OF ARROW LOCK</i>	<i>24</i>
<i>REPLACEMENT OF ARROW LOCK LATCH/SLIDE HANDLE</i>	<i>26</i>
<i>REPLACEMENT OF PARCEL LOCK ASSEMBLY</i>	<i>28</i>
<i>REPLACEMENT OF PARCEL DOOR SPRING</i>	<i>30</i>
<i>REPLACEMENT OF SHELF</i>	<i>32</i>
<i>REPLACEMENT OF MASTER LOADING DOOR SLIDE MECHANISM</i>	<i>34</i>
<i>REPLACEMENT OF PEDESTAL</i>	<i>36</i>

REPLACEMENT OF MASTER LOADING DOOR HOLD OPEN MECHANISM TYPES I, II, III AND IV

1. OPEN MASTER LOADING DOORS

7. CLOSE MASTER LOADING DOORS

2. TO DISENGAGE HOLD OPEN MECHANISM:
REMOVE ONE (1) 86231 6-32 TORX HEAD SHOULDER SCREW

3. TO REPLACE HOLD OPEN MECHANISM:
DRILL OUT EIGHT (8) 86098 1/8" POP RIVETS AND REMOVE THE 86279 HOLD OPEN GUARD AND THE 86267 LATCH HOLD OPEN BRACKET (LEFT SIDE); 86265 LATCH HOLD OPEN BRACKET (RIGHT SIDE)

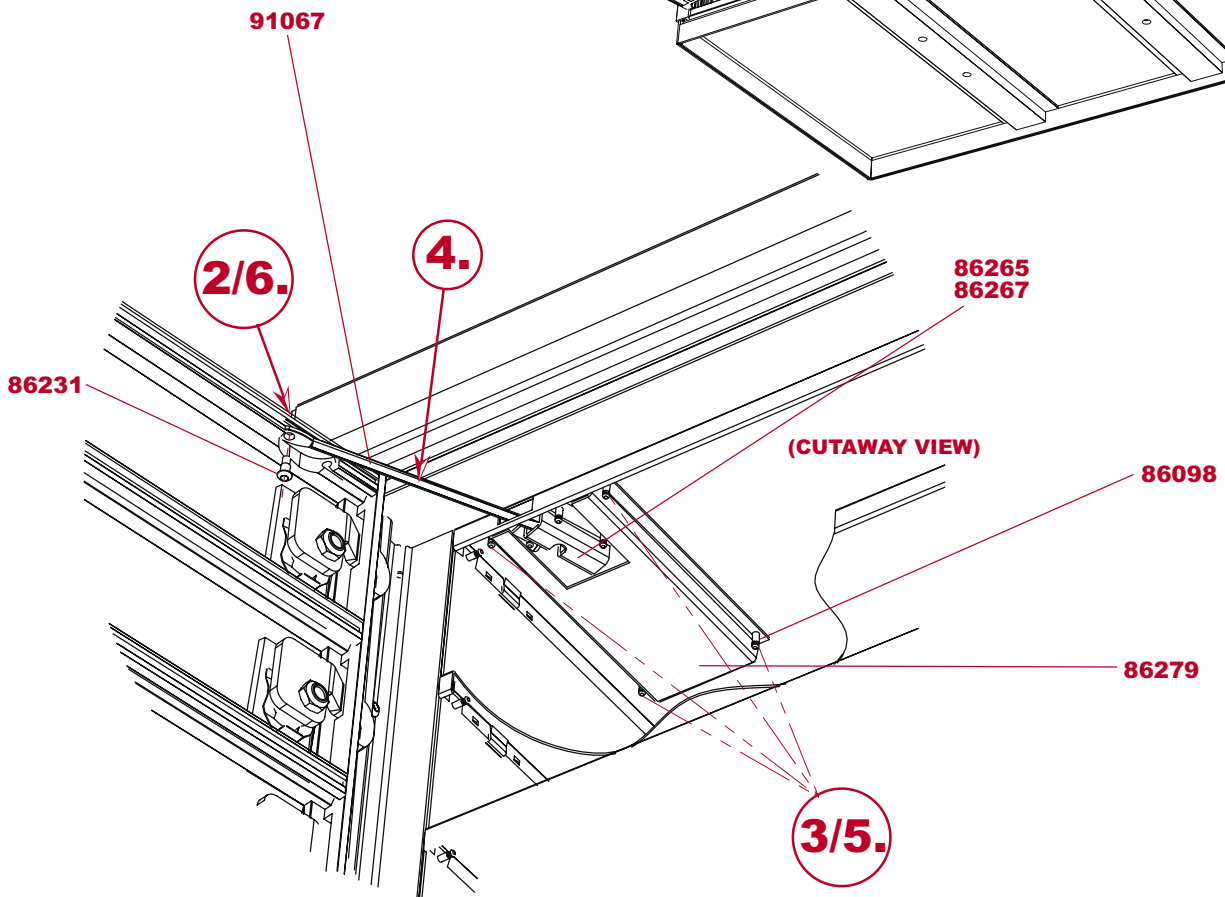
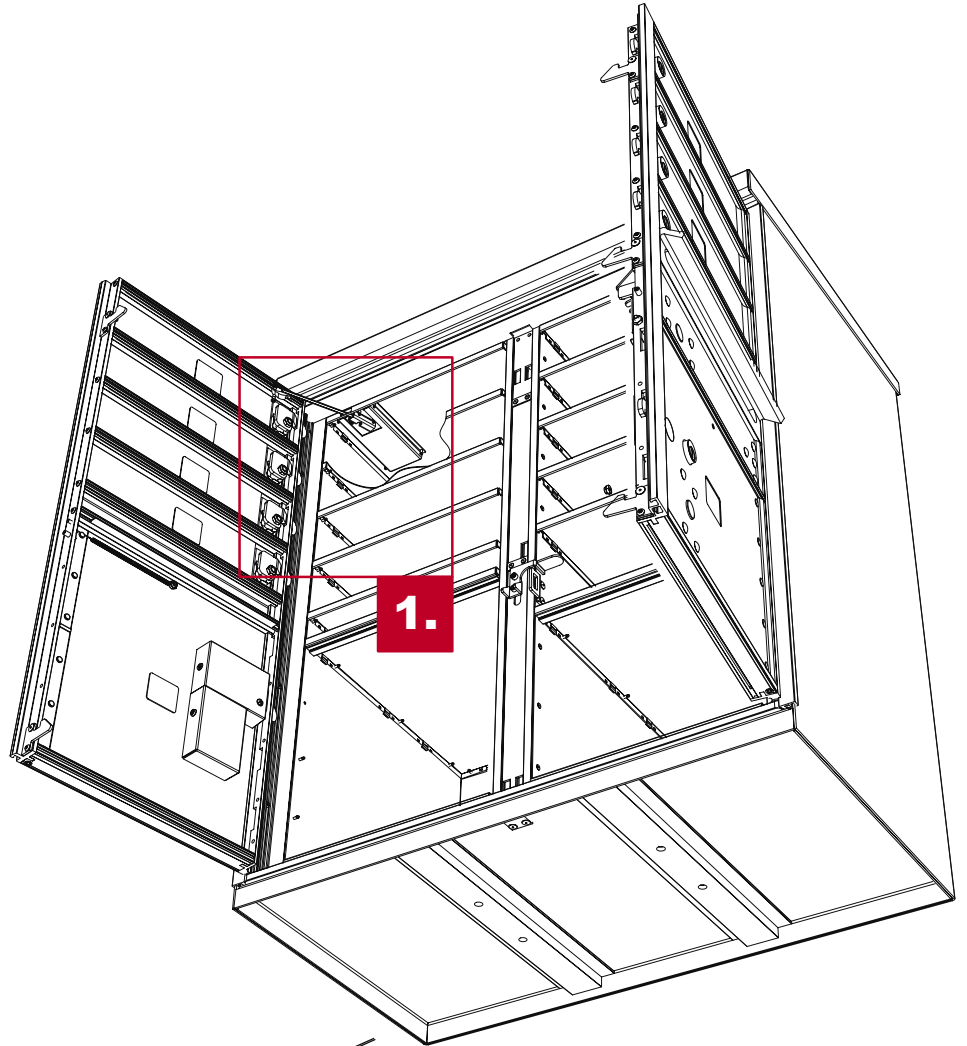
4. REMOVE/REPLACE 91067 HOLD OPEN ARM

5. REPLACE HOLD OPEN GUARD AND HOLD OPEN BRACKET - REPLACE EIGHT (8) 86098 1/8" POP RIVETS

6. REATTACH HOLD OPEN ARM WITH 86231 6-32 TORX HEAD SHOULDER SCREW

REQUIRED TOOLS		PART #	DESCRIPTION
CORDLESS DRILL		86098	1/8" DIA X .328" POP RIVET SS
PORTABLE POP RIVET GUN		86231	6-32 X .187 TORX HEAD SCREW
1/8" DRILL BIT		86265	LATCH HOLD OPEN BRACKET - RT
8-32 HEX REMOVAL BIT/ALLEN WRENCH		86267	LATCH HOLD OPEN BRACKET - LT
		86279	HOLD OPEN GUARD
		91067	HOLD OPEN ARM

REPLACEMENT OF MASTER LOADING DOOR HOLD OPEN MECHANISM



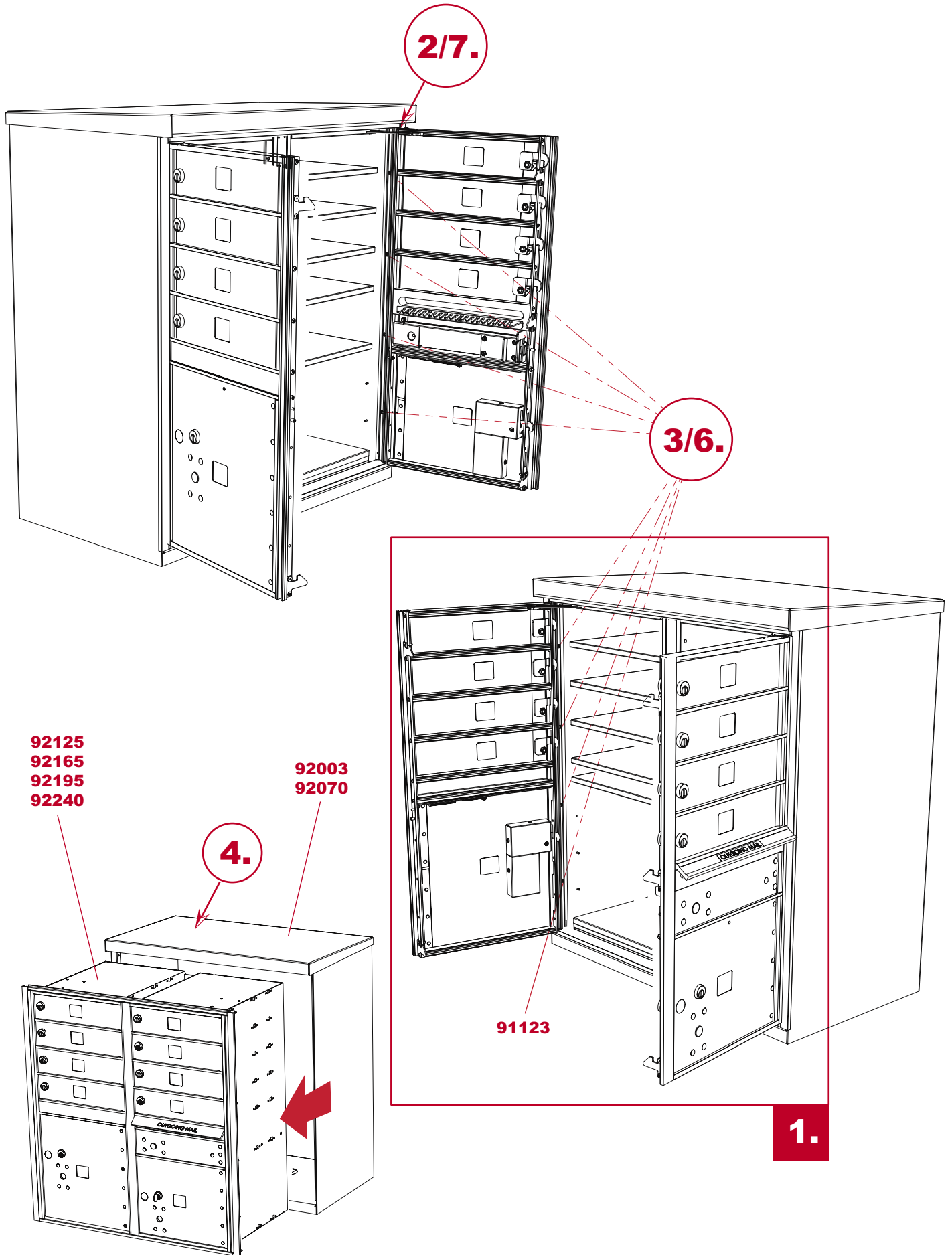
REMOVAL OF INSERT ASSEMBLY TYPES I, II, III AND IV

- 1.** OPEN MASTER LOADING DOORS
- 2.** DISENGAGE HOLD OPEN MECHANISMS
(SEE INSTRUCTIONS PAGE 4)
- 3.** [FOR TYPES I, II] REMOVE EIGHT (8)
91123 8-32 TORX HEAD SCREWS FROM
INSERT ASSEMBLY
[FOR TYPES III, IV] REMOVE TWELVE (12)
91123 8-32 TORX HEAD SCREWS FROM
INSERT ASSEMBLY
- 4.** SLIDE INSERT ASSEMBLY OUT PARTIALLY
TO MAKE REPAIRS TO MASTER LOADING
DOORS, OTHERWISE REMOVE INSERT
ASSEMBLY AND LAY FLAT ON BACK
- 5.** REPLACE WITH NEW INSERT ASSEMBLY
- 6.** [FOR TYPES I, II] REPLACE EIGHT (8)
91123 8-32 TORX HEAD SCREWS FROM
INSERT ASSEMBLY
[FOR TYPES III, IV] REPLACE TWELVE
(12) 91123 8-32 TORX HEAD SCREWS
FROM INSERT ASSEMBLY
- 7.** REPLACE HOLD OPEN MECHANISMS
AND CLOSE MASTER LOADING DOORS

REQUIRED TOOLS
PORTABLE DRILL
TORX HEAD SCREWDRIVER/BIT
PORTABLE POP RIVET GUN
HAMMER
PLIERS

PART #	DESCRIPTION
86098	.125" x .328"L SS POP RIVET
91123	8-32 X .5" TORX BUTTON HEAD SCR
92003	CABINET ASSEM. FOR TYPE III, IV
92070	CABINET ASSEM. FOR TYPE I, II
92125	INSERT ASSEM. FOR TYPE III
92165	INSERT ASSEM. FOR TYPE I
92195	INSERT ASSEM. FOR TYPE II
92240	INSERT ASSEM. FOR TYPE IV

REMOVAL OF INSERT ASSEMBLY



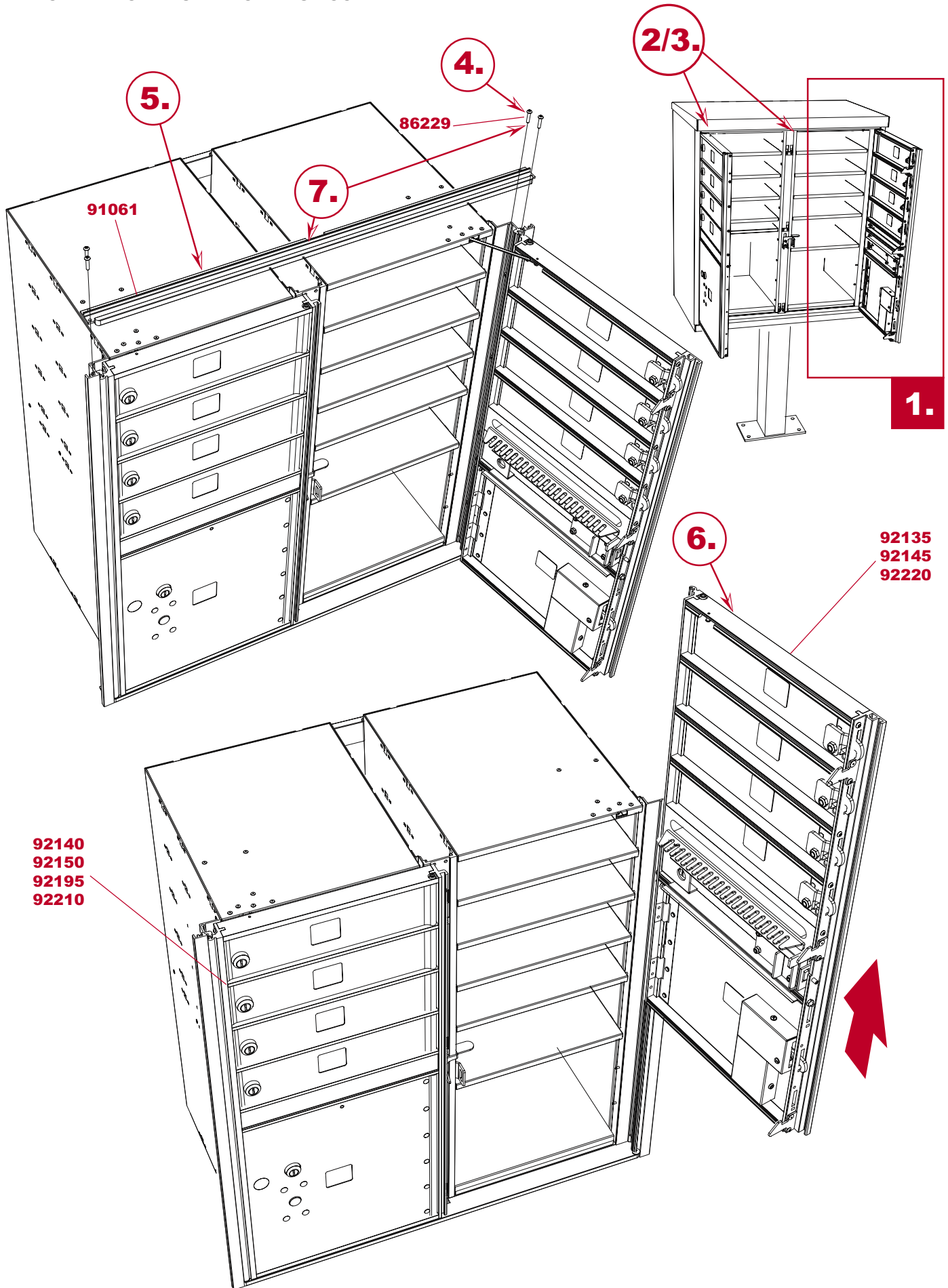
REPLACEMENT OF MASTER LOADING DOOR TYPES I, II, III AND IV

- 1.** OPEN MASTER LOADING DOORS
- 2.** DISENGAGE HOLD OPEN MECHANISMS FROM TOP OF MASTER LOADING DOORS (SEE INSTRUCTIONS PAGE 4)
- 3.** REMOVE INSERT ASSEMBLY (SEE "REPLACEMENT OF INSERT ASSEMBLY" - PAGE 6)
- 4.** CLOSE MASTER LOADING DOORS AND REMOVE FOUR (4) 86229 8-32 STAINLESS STEEL TORX HEAD SCREWS
- 5.** REMOVE ONE (1) 91061 FRAME BRACE FROM TOP OF UNIT, EXPOSING MASTER LOADING DOOR HINGES
- 6.** SLIDE MASTER LOADING DOOR OUT THROUGH TOP OF INSERT ASSEMBLY AND REPLACE WITH NEW MASTER LOADING DOOR
- 7.** CLOSE MASTER LOADING DOORS AND REPLACE FOUR (4) 86229 8-32 STAINLESS STEEL TORX HEAD SCREWS. REPLACE ONE (1) 91061 FRAME BRACE FROM TOP OF UNIT, CONCEALING MASTER LOADING DOOR HINGES
- 8.** REPLACE INSERT ASSEMBLY (SEE "REPLACEMENT OF INSERT ASSEMBLY" - PAGE 6)
- 9.** REPLACE HOLD OPEN MECHANISM (SEE INSTRUCTIONS PAGE 4)

REQUIRED TOOLS
TORX SCREWDRIVER/BIT
PORTABLE DRILL
PLIERS

PART #	DESCRIPTION
86229	8-32 X .75" PAN HD MACH. SCREW
91061	FRAME BRACE
92135	RIGHT MLD ASSEM. FOR TYPE III
92140	LEFT MLD ASSEM. FOR TYPE III
92145	RIGHT MLD ASSEM. FOR TYPES I, II
92150	LEFT MLD ASSEM. FOR TYPE I
92190	LEFT MLD ASSEM. FOR TYPE II
92210	LEFT MLD ASSEM. FOR TYPE IV
92220	RIGHT MLD ASSEM. FOR TYPE IV

REPLACEMENT OF MASTER LOADING DOOR



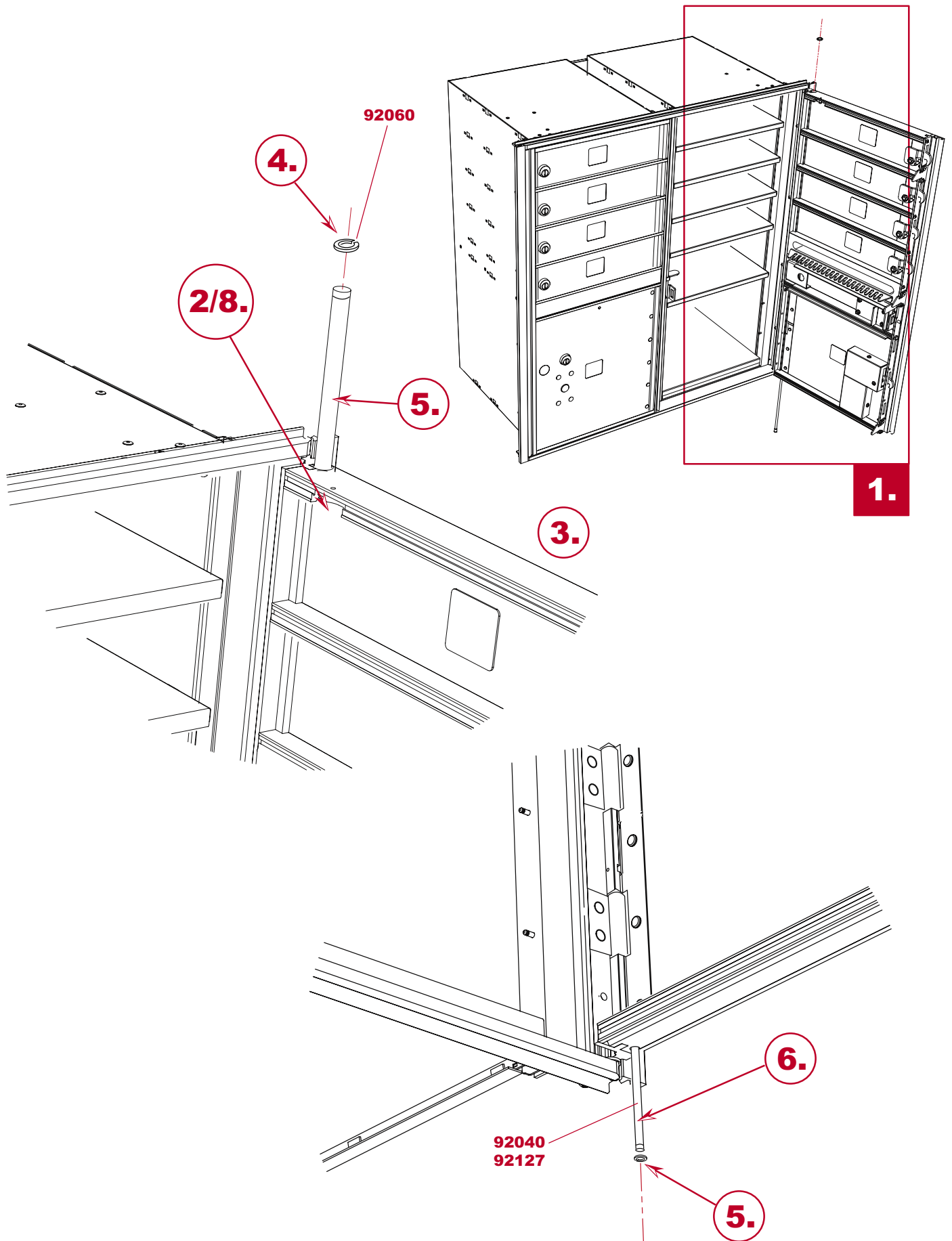
REPLACEMENT OF HINGE ROD

TYPES I, II, III AND IV

- 1.** OPEN MASTER LOADING DOOR
- 2.** DISENGAGE HOLD OPEN MECHANISM FROM TOP OF MASTER LOADING DOOR (SEE INSTRUCTIONS PAGE 4)
- 3.** COMPLETELY OPEN MASTER LOADING DOOR SO THAT THE HINGE PIN IS VISIBLE / AND OR COMPLETELY REMOVE INSERT ASSEMBLY (SEE "REPLACEMENT OF INSERT ASSEMBLY" - PAGE 6)
- 4.** REMOVE ONE (1) 92060 RETAINING RING
- 5.** WITH THE HAMMER AND 1/8" ROD, TAP THE HINGE ROD TO DISLODGE THE 91260 THREADED INSERT
- 6.** PULL OUT HINGE ROD WITH PLIERS FROM THE BOTTOM
- 7.** REPLACE HINGE ROD BY REVERSING STEPS 4-6, USING A CORDLESS DRILL ATTACHED TO THE HINGE ROD TO EASE THE INSERTION INTO THE MASTER LOADING DOOR (IF NECESSARY)
- 8.** REPLACE HOLD OPEN MECHANISM (SEE INSTRUCTIONS PAGE 4)

REQUIRED TOOLS	PART #	DESCRIPTION
1/8" ROD	92060	RETAINING RING - EXTERNAL
PORTABLE DRILL	92040	HINGE ROD (TYPE III AND IV)
HAMMER	92127	HINGE ROD (TYPE I AND II)
PLIERS		

REPLACEMENT OF HINGE ROD



REPLACEMENT OF RIGHT SIDE PATRON COMPARTMENT DOOR TYPES I, II, III, AND IV

1. OPEN MASTER LOADING DOOR

6. PUT MASTER DOOR AT A 90 DEGREE ANGLE AND REPLACE HOLD OPEN MECHANISM (SEE INSTRUCTIONS PAGE 4)

2. DISENGAGE HOLD OPEN MECHANISM FROM TOP OF MASTER LOADING DOOR (SEE INSTRUCTIONS PAGE 4)

INSTALL LOCK MECHANISM (IF NECESSARY - SEE PAGE 22)

3. COMPLETELY OPEN MASTER LOADING DOOR SO THAT HINGE ROD IS VISIBLE

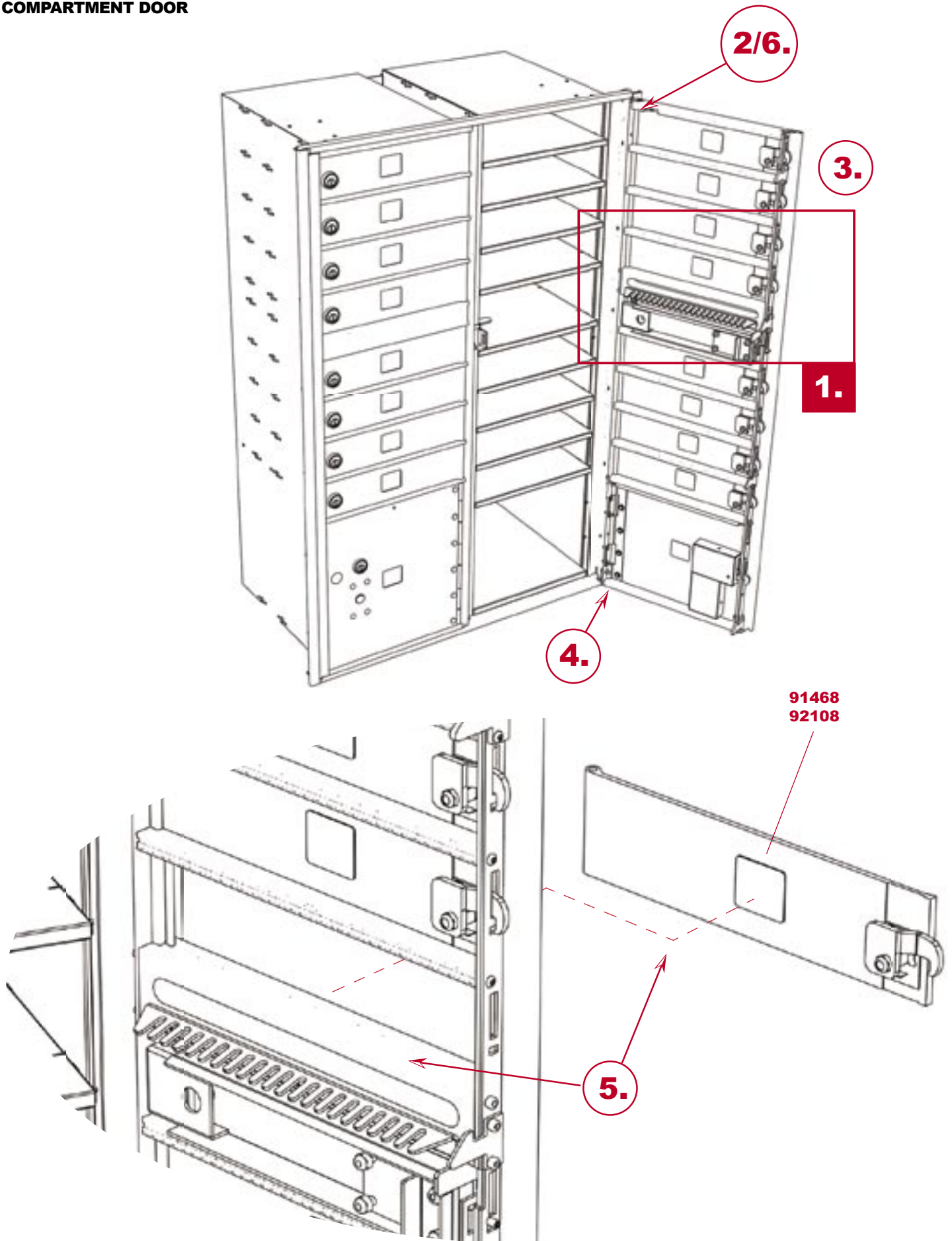
4. REMOVE HINGE ROD (SEE "REPLACEMENT OF HINGE ROD" - PAGE 10)

5. REPLACE COMPARTMENT DOOR 91468 FOR TYPE I, II, AND III, OR 92108 FOR TYPE IV

REQUIRED TOOLS
1/8" ROD
PORTABLE DRILL
HAMMER
PLIERS

PART #	DESCRIPTION
92040	HINGE ROD (TYPE III AND IV)
92108	5" COMPARTMENT DOOR
91468	3" COMPARTMENT DOOR
92127	HINGE ROD (TYPE I AND II)

REPLACEMENT OF RIGHT SIDE PATRON COMPARTMENT DOOR

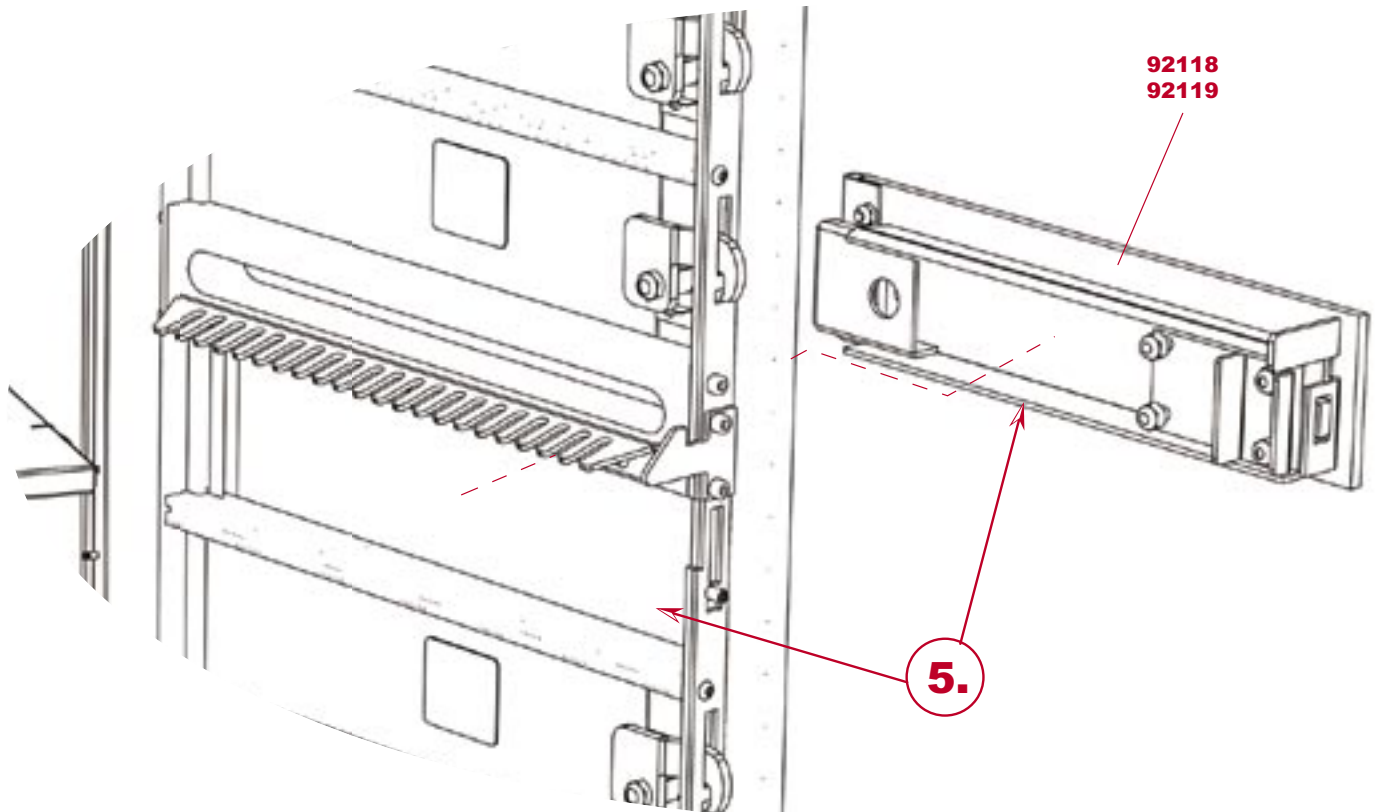
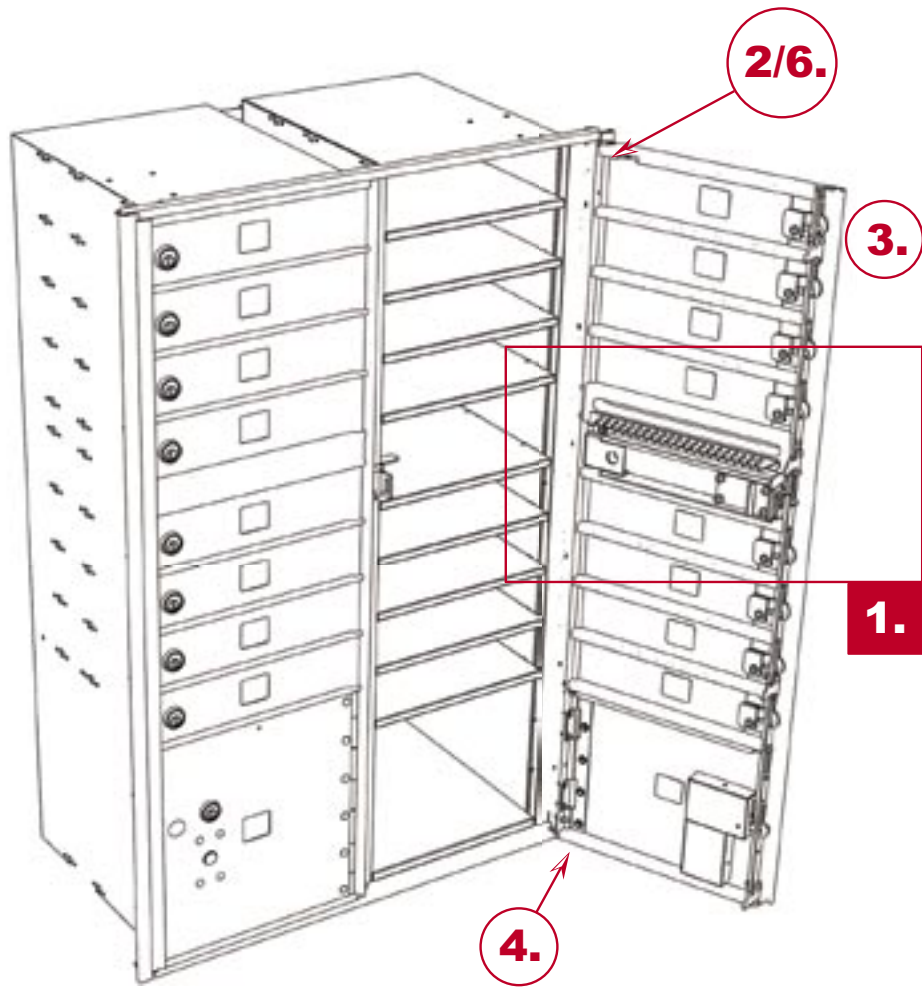


REPLACEMENT OF ARROW LOCK DOOR TYPES I, II, III AND IV

- 1.** OPEN MASTER LOADING DOOR
 - 2.** DISENGAGE HOLD OPEN MECHANISM FROM TOP OF MASTER LOADING DOOR (SEE INSTRUCTIONS PAGE 4)
 - 3.** COMPLETELY OPEN RIGHT SIDE MASTER DOOR SO THAT THE HINGE PIN IS VISIBLE
 - 4.** REMOVE HINGE ROD (SEE "REPLACEMENT OF HINGE ROD" - PAGE 10)
 - 5.** REPLACE COLLECTION DOOR 92118 FOR TYPES I, II, AND III, OR 92119 FOR TYPE IV
 - 6.** PUT MASTER DOOR AT A 90 DEGREE ANGLE AND REPLACE HOLD OPEN MECHANISM (SEE INSTRUCTIONS PAGE 4)
- INSTALL LOCK MECHANISM (IF NECESSARY - SEE PAGE 24)

REQUIRED TOOLS	PART #	DESCRIPTION
1/8" ROD	92040	HINGE ROD (TYPE III AND IV)
PORTABLE DRILL	92118	3" ARROW LOCK DOOR
HAMMER	92119	5" ARROW LOCK DOOR
	92127	HINGE ROD (TYPE I AND II)

REPLACEMENT OF ARROW LOCK DOOR

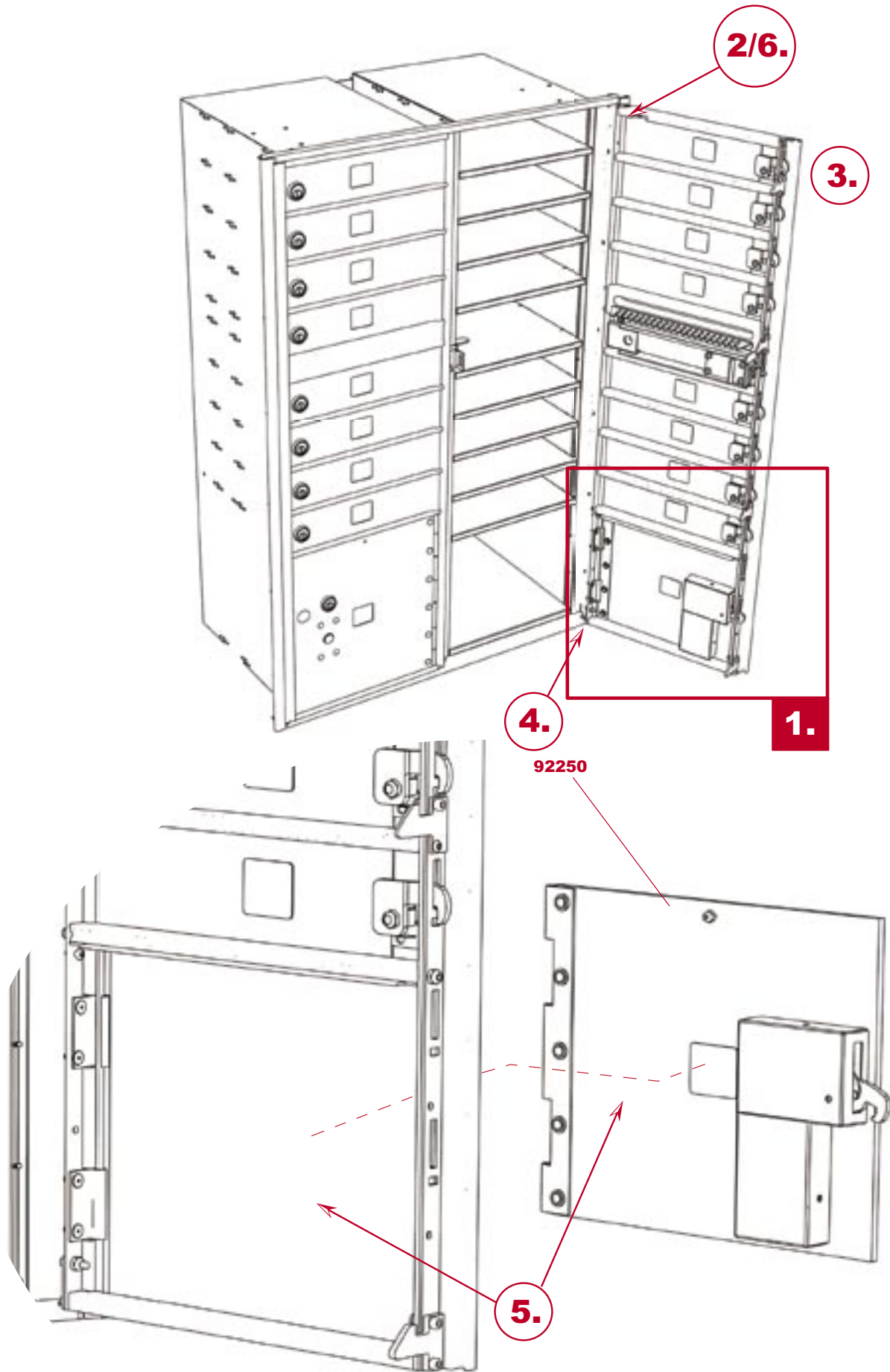


REPLACEMENT OF RIGHT SIDE PARCEL DOOR TYPES I, II, AND III

- 1.** OPEN MASTER LOADING DOOR
 - 2.** DISENGAGE HOLD OPEN MECHANISM FROM TOP OF MASTER LOADING DOOR (SEE INSTRUCTIONS PAGE 4)
 - 3.** COMPLETELY OPEN RIGHT SIDE MASTER DOOR SO THAT THE HINGE ROD IS VISIBLE
 - 4.** REMOVE HINGE ROD (SEE "REPLACEMENT OF HINGE ROD" - PAGE 10)
 - 5.** REPLACE PARCEL DOOR 92250
 - 6.** REPLACE PARCEL DOOR SPRING (SEE "REPLACEMENT OF PARCEL DOOR SPRING" - PAGE 30)
 - 7.** PUT MASTER DOOR AT A 90 DEGREE ANGLE AND REPLACE HOLD OPEN MECHANISM (SEE INSTRUCTIONS PAGE 4)
- INSTALL LOCK MECHANISM (IF NECESSARY - SEE PAGE 28)

REQUIRED TOOLS	PART #	DESCRIPTION
1/8" ROD	92040	HINGE ROD (TYPE III AND IV)
PORTABLE DRILL	92250	PARCEL DOOR ASSEMBLY - 10"
HAMMER	92127	HINGE ROD (TYPE I AND II)
PLIERS		

REPLACEMENT OF RIGHT SIDE PARCEL DOOR



REPLACEMENT OF LEFT SIDE PATRON COMPARTMENT DOOR TYPES I, II, III, AND IV

1. COMPLETELY OPEN LEFT SIDE MASTER DOOR SO THAT THE HINGE ROD IS VISIBLE

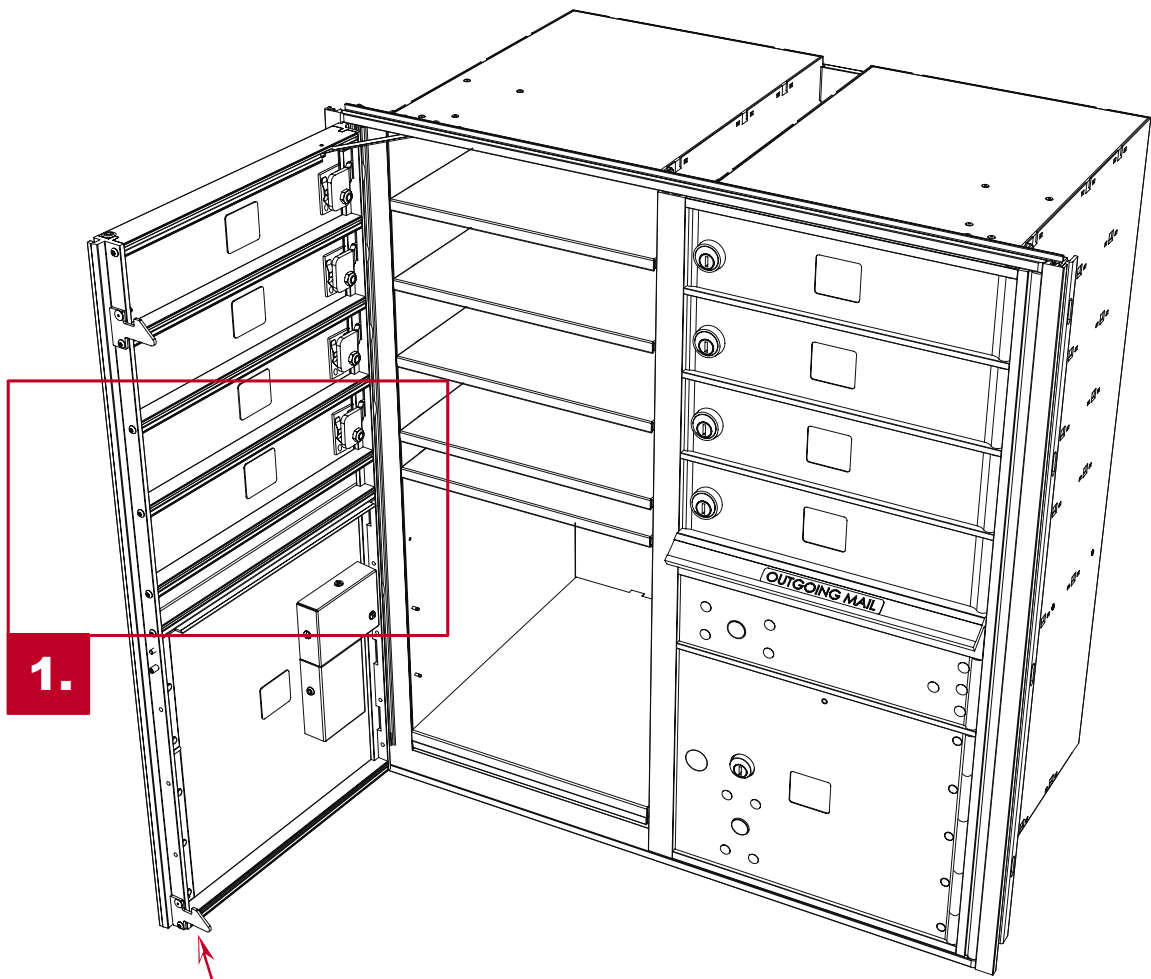
2. REMOVE HINGE ROD (SEE: "REPLACEMENT OF HINGE ROD" - PAGE 10)

3. REPLACE COMPARTMENT DOOR 91468 FOR TYPE I, II, AND III, OR 92108 FOR TYPE IV

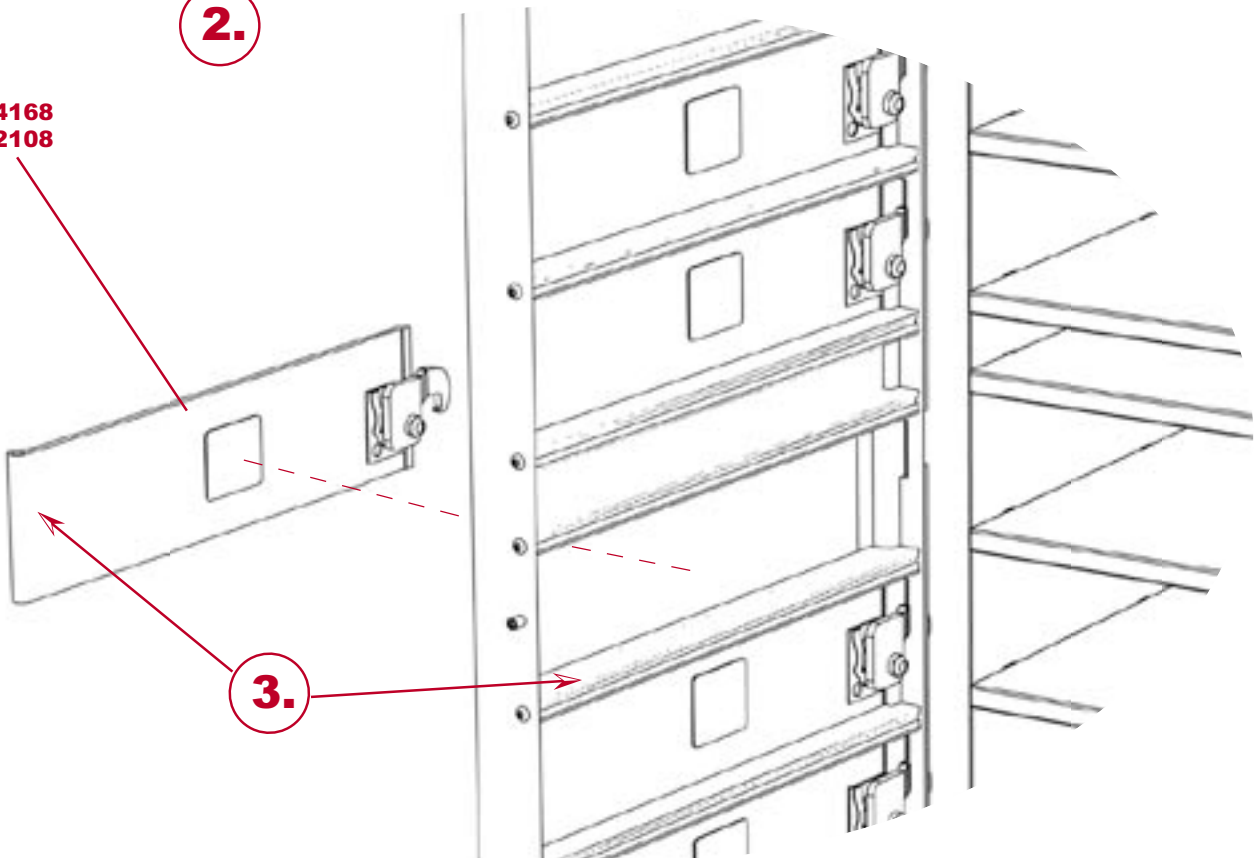
INSTALL LOCK MECHANISM (IF NECESSARY - SEE PAGE 22)

REQUIRED TOOLS	PART #	DESCRIPTION
1/8" ROD	92040	HINGE ROD (TYPE III AND IV)
PORTABLE DRILL	92108	5" COMPARTMENT DOOR
HAMMER	91468	3" COMPARTMENT DOOR
PLIERS	92127	HINGE ROD (TYPE I AND II)

REPLACEMENT OF LEFT SIDE PATRON COMPARTMENT DOOR



94168
92108



REPLACEMENT OF LEFT SIDE PARCEL DOOR TYPES I, III AND IV

- 1.** COMPLETELY OPEN LEFT SIDE MASTER DOOR SO THAT THE HINGE ROD IS VISIBLE

- 2.** REMOVE HINGE ROD (SEE "REPLACEMENT OF HINGE ROD" - PAGE 10)

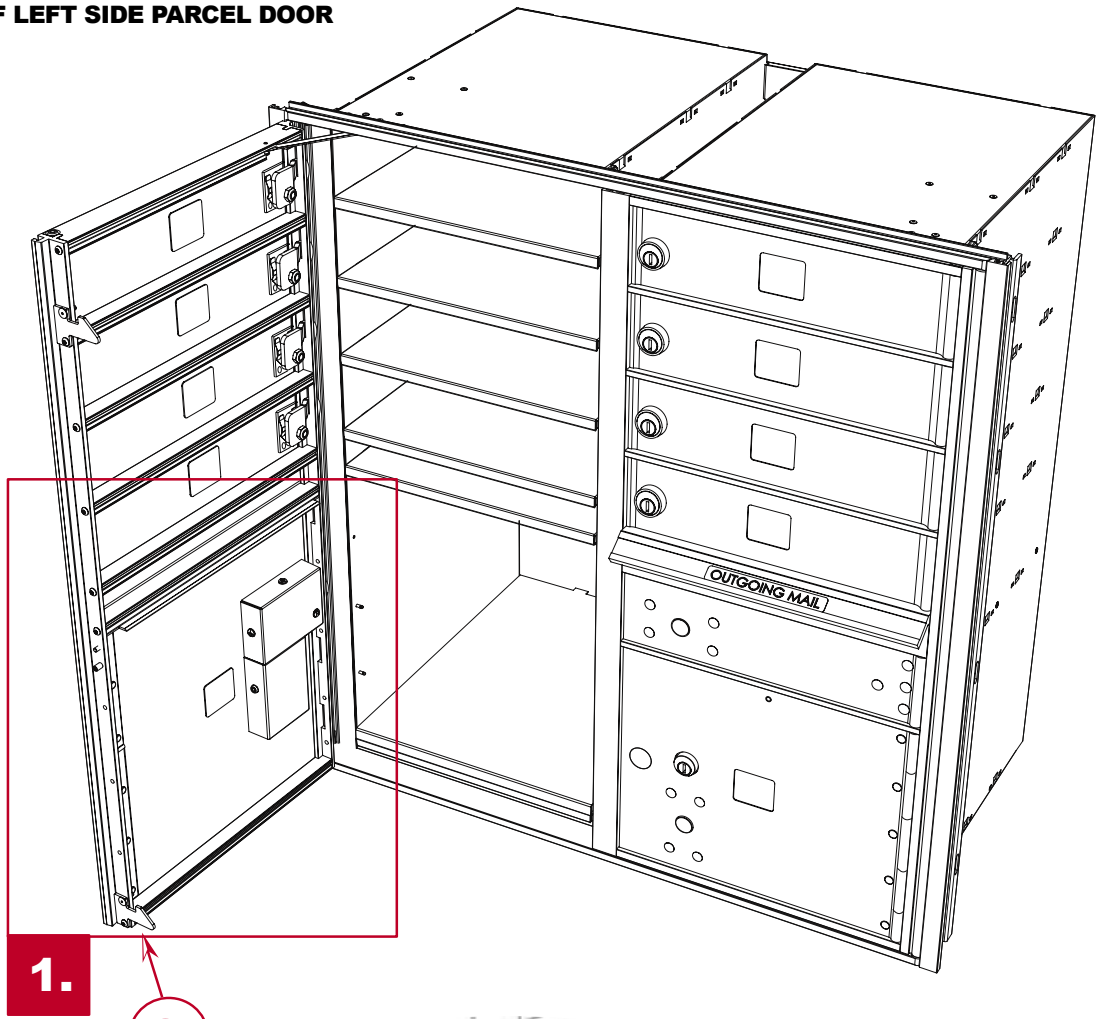
- 3.** REPLACE PARCEL DOOR 92257 FOR TYPES I AND III, OR 92250 FOR TYPE IV

- 4.** REPLACE PARCEL DOOR SPRING (SEE "REPLACEMENT OF PARCEL DOOR SPRING" - PAGE 30)

INSTALL LOCK MECHANISM (IF NECESSARY - SEE PAGE 28)

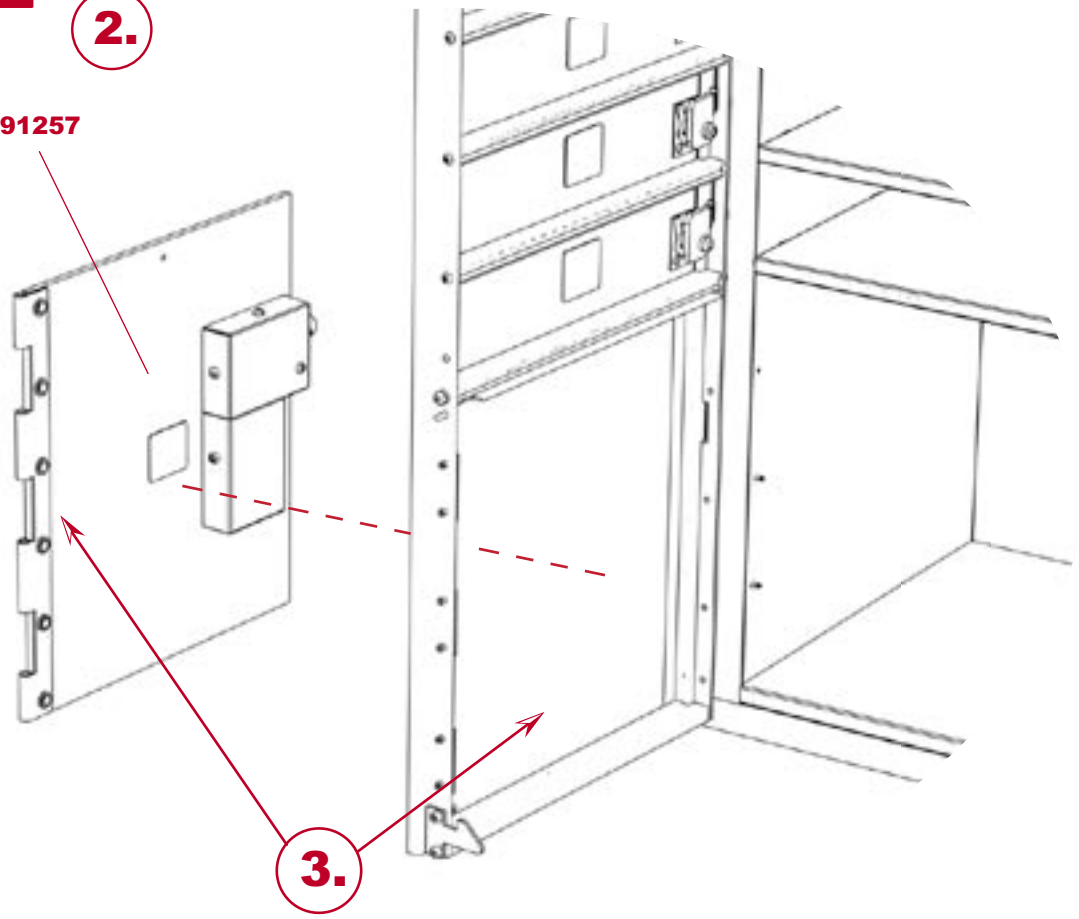
REQUIRED TOOLS	PART #	DESCRIPTION
1/8" ROD	92040	HINGE ROD (TYPE III AND IV)
PORTABLE DRILL	92127	HINGE ROD (TYPE I AND II)
HAMMER	92250	PARCEL DOOR ASSEMBLY - 10"
PLIERS	92257	PARCEL DOOR ASSEMBLY - 13"

REPLACEMENT OF LEFT SIDE PARCEL DOOR



2.

91257



REPLACEMENT OF 910A PATRON LOCK TYPES I, II, III, AND IV

- 1.** OPEN PATRON COMPARTMENT DOOR

- 2.** REMOVE CLIP 30807 WITH PLIERS (PULL DOWN) FROM BACK OF COMPARTMENT DOOR

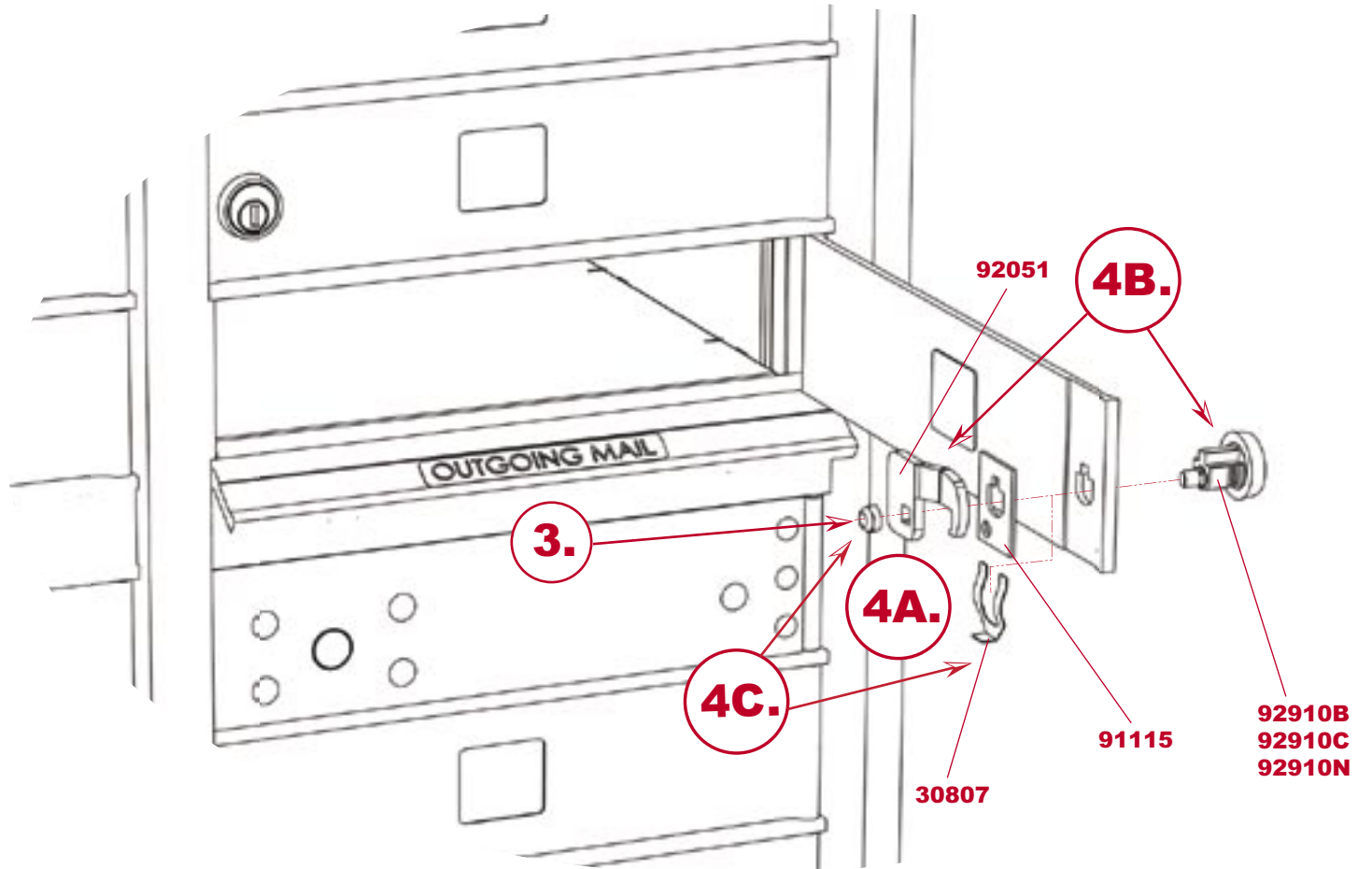
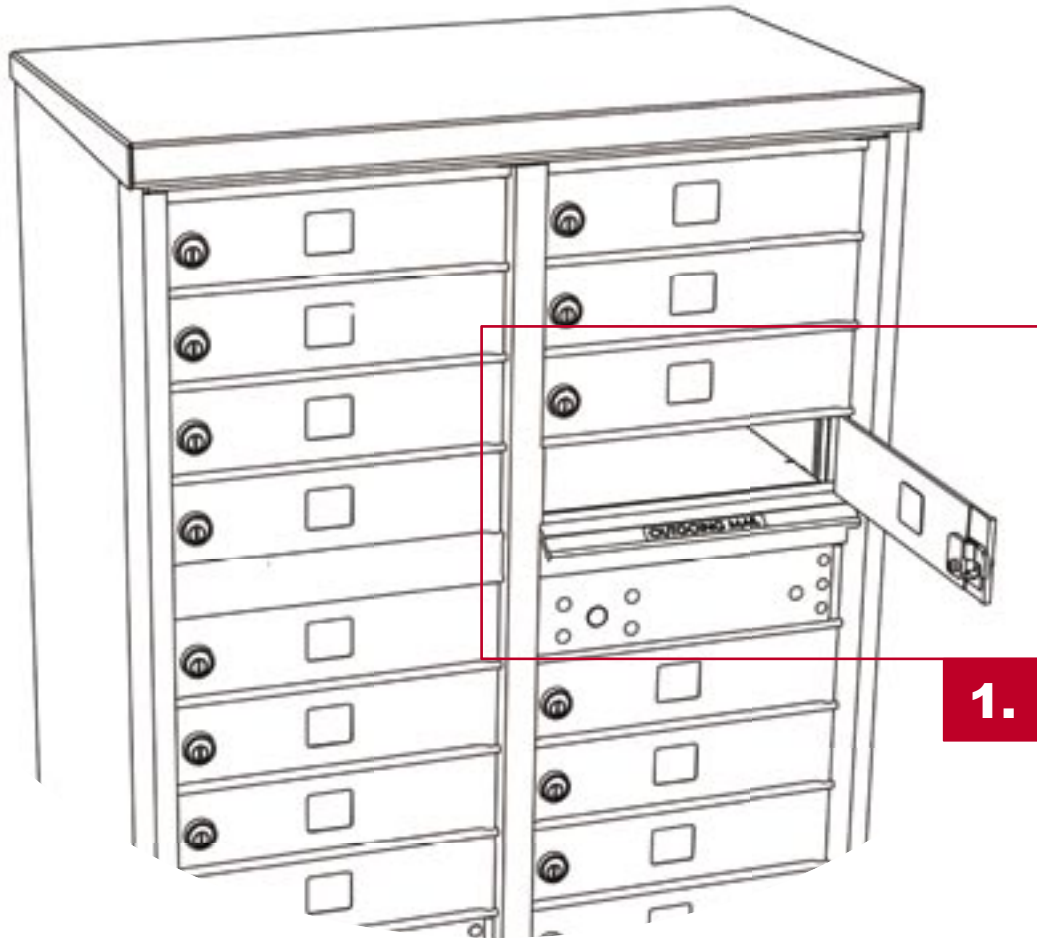
- 3.** REMOVE 91910N 1/4-20 LOCK NUT

- 4.**
 - A. REMOVE 92051 CAM AND REMOVE 91115 PLATE - SUPPORT LOCK. REMOVE 92910B LOCK
 - B. INSERT NEW 92910B LOCK, 92910C COLLAR AND 91051 CAM
 - C. TIGHTEN 91910N 1/4-20 LOCK NUT AND REPLACE 30807 CLIP

REQUIRED TOOLS
7/16" SOCKET WRENCH
PLIERS

PART #	DESCRIPTION
30807	CLIP
92910B	HS COMP. DOOR LOCK 910A
92051	LOCK CAM
91115	PLATE - SUPPORT LOCK
92910C	COLLAR
91910N	LOCK NUT 1/4-20

REPLACEMENT OF 910A PATRON LOCK



REPLACEMENT OF ARROW LOCK

TYPES I, II, III, AND IV

- 1.** OPEN ARROW LOCK DOOR

- 2.** REMOVE FOUR (4) 84199 1/4-20 LOCK NUTS, AS WELL AS 92303 PLATE - LOCK SUPPORT

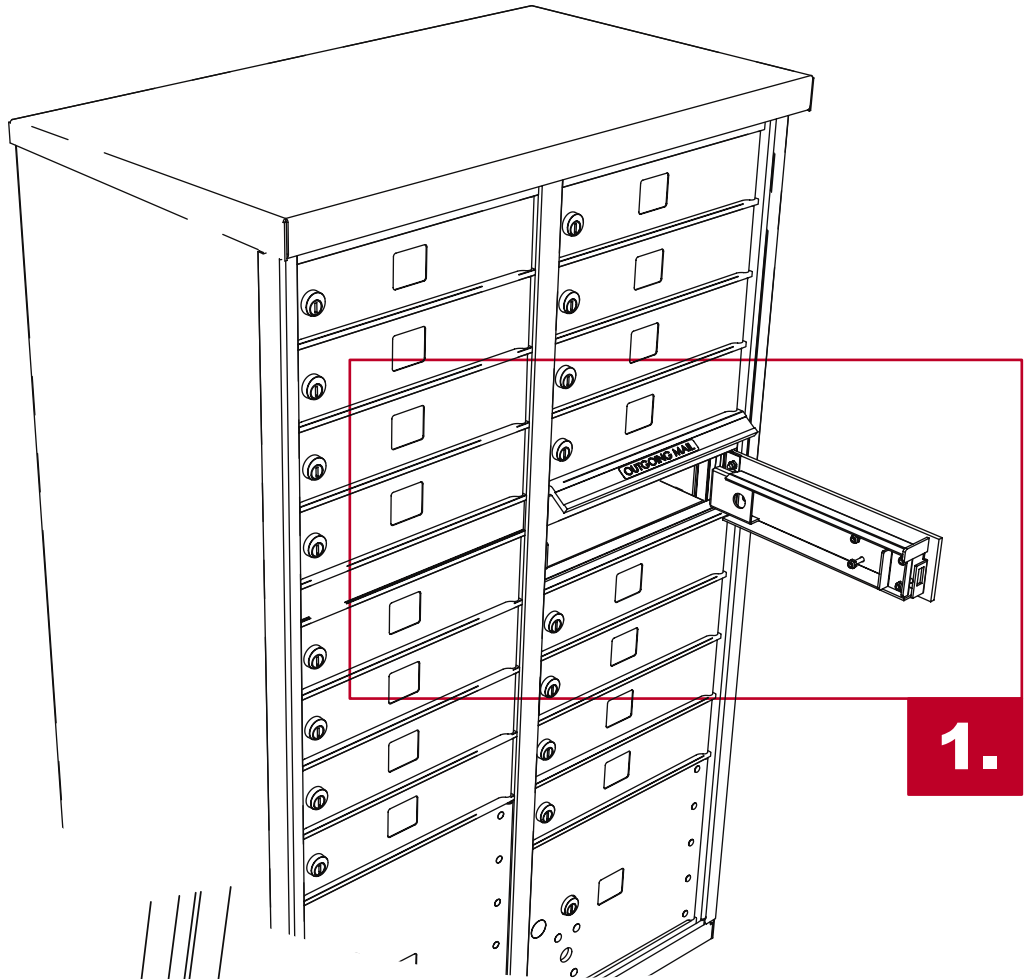
- 3.** PLACE ARROW LOCK INTO POSITION

- 4.** INSTALL 92303 PLATE - LOCK SUPPORT AS SHOWN

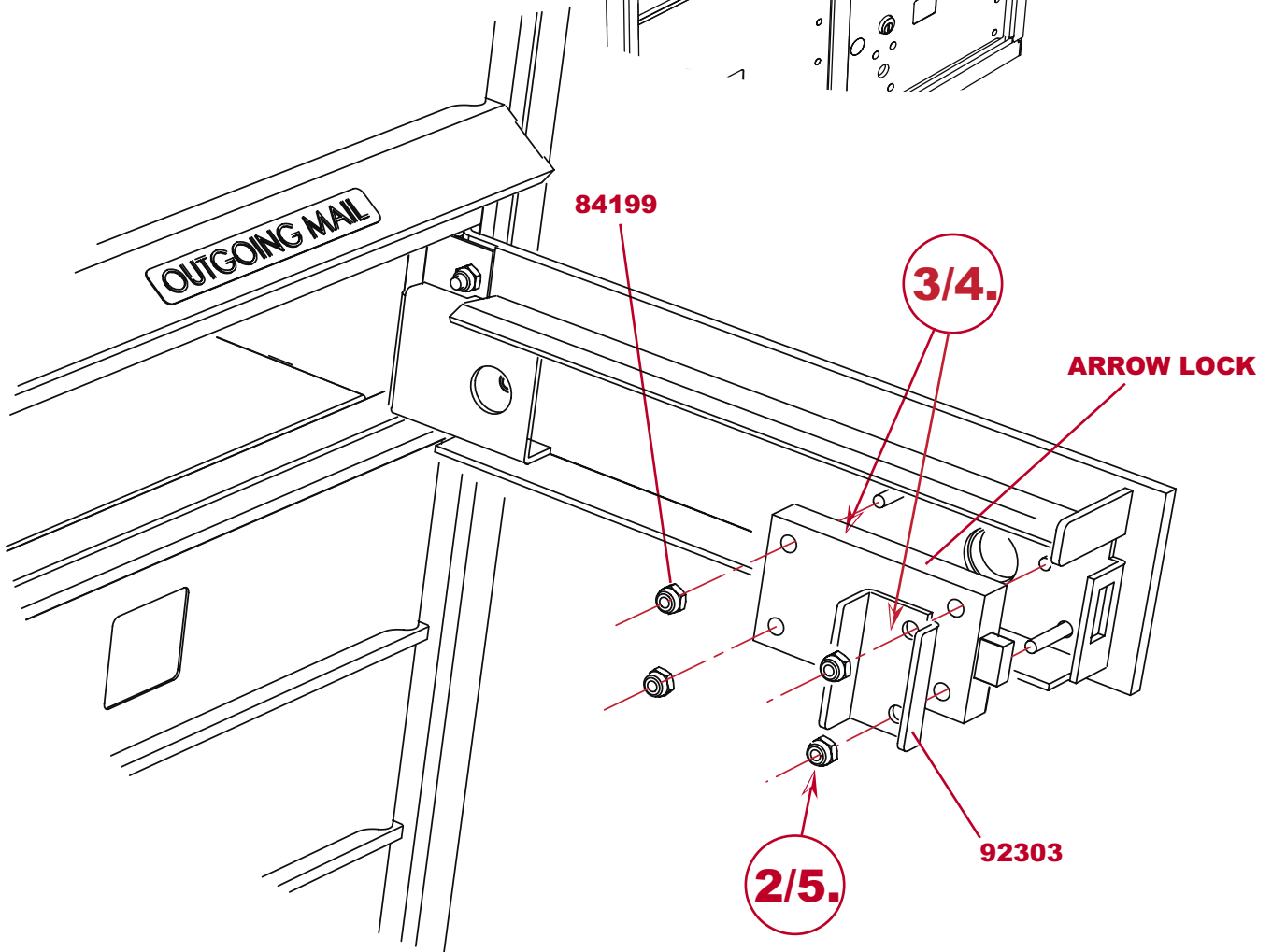
- 5.** REPLACE FOUR (4) 86091 10-32 LOCK NUTS

REQUIRED TOOLS	PART #	DESCRIPTION
3/8" SOCKET WRENCH	84199	1/4-20 LOCK NUT
PLIERS	92303	PLATE - LOCK SUPPORT
		ARROW LOCK

REPLACEMENT OF ARROW LOCK



1.



REPLACEMENT OF ARROW LOCK LATCH/SLIDE HANDLE TYPES I, II, III, AND IV

- 1.** OPEN BOTH MASTER DOORS

- 2.**
 - A. REMOVE TWO (2) 84998SS 8-32 HEX DRIVE SHOULDER SCREWS

 - B. REMOVE LATCH RELEASE BRACKET 91011 - REPLACE WITH NEW LATCH RELEASE BRACKET

 - C. REPLACE TWO (2) 91124 SHOULDER BUSHINGS

 - D. ALIGN WITH MOUNTING HOLES AND REPLACE TWO (2) 84998SS 8-32 HEX DRIVE SHOULDER SCREWS

 - E. CHECK FOR FIT/FUNCTION

- 3.**
 - A. REMOVE TWO (2) 84996 1/4-20 X .75 SCREWS

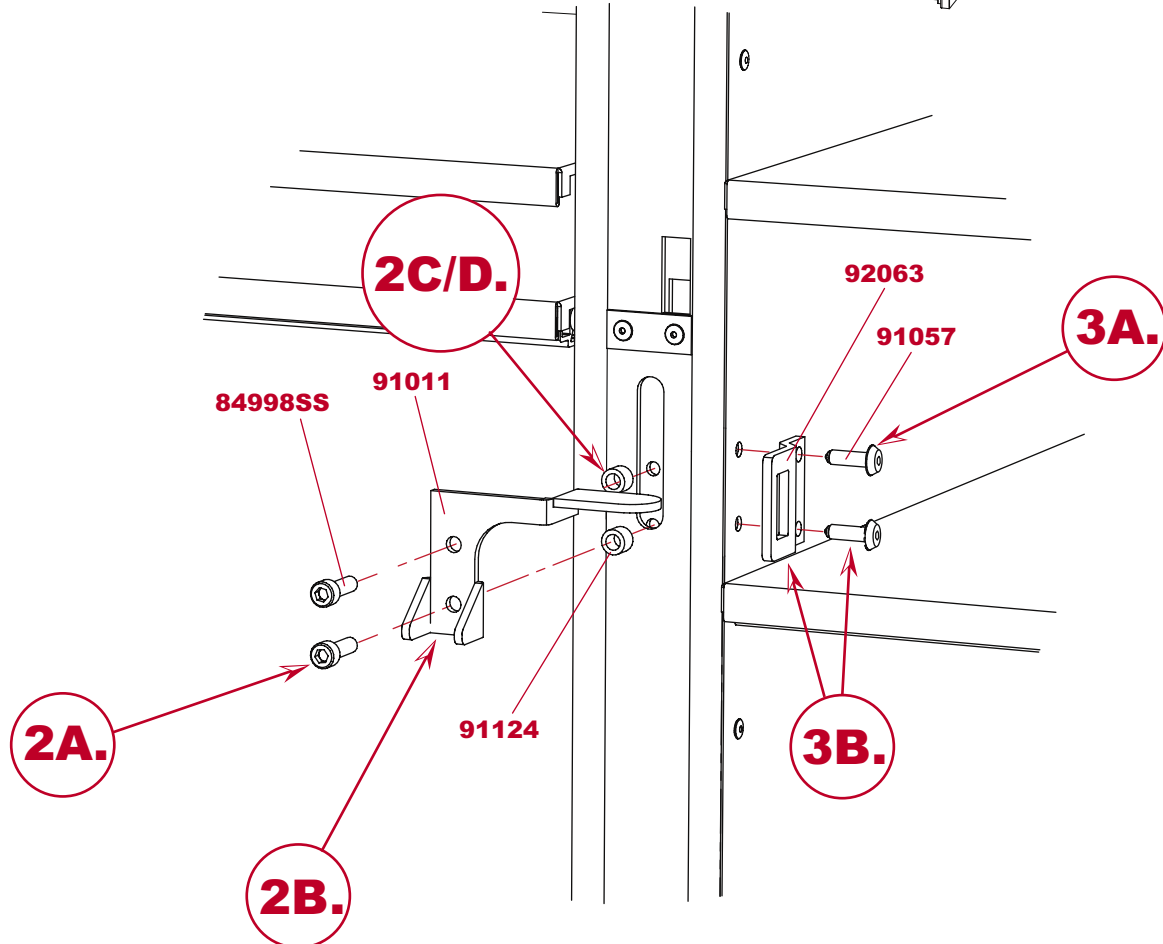
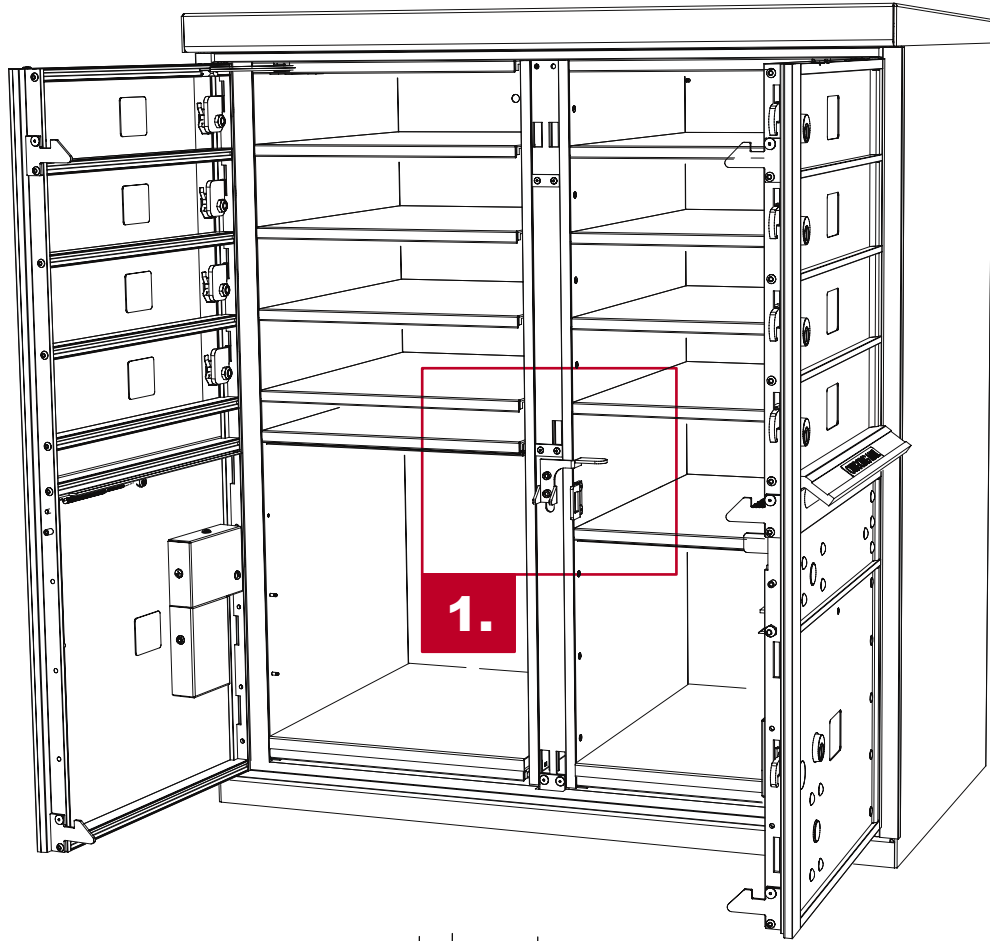
 - B. REMOVE/REPLACE 92063 LOCK BRACKET - REPLACE TWO (2) 91057 POP RIVETS

 - C. CHECK FOR FIT/FUNCTION

REQUIRED TOOLS
8-32 HEX REMOVAL BIT/ALLEN WRENCH
PORTABLE DRILL
1/8" DRILL BIT
PORTABLE POP RIVET GUN

PART #	DESCRIPTION
84996	SCREW - 1/4-20 X.75 L SHCS SS
84998SS	KTS 8-32-8 X .625 SS HEX DRIVE
91011	RELEASE BRACKET
91057	POP RIVET
91124	BUSHING
92063	LOCK BRACKET

REPLACEMENT OF ARROW LOCK LATCH/SIDE HANDLE



REPLACEMENT OF PARCEL LOCK ASSEMBLY TYPES I, II, III, AND IV

1. OPEN PARCEL DOOR

C. REPLACE ONE (1) 1/4-20 LOCK NUT (INCLUDED IN 910A ASSEMBLY)

D. REPLACE ONE (1) 91620 3/8-24 HEX NUT

2. TO REMOVE/REPLACE COVERS:

REMOVE OR REPLACE PARCEL LOCK COVER 91255 USING TWO (2) 84994 10-32 X .375 1-WAY TAMPERPROOF SCREWS, AND ONE (1) 84995 8-32 X .250 1-WAY TAMPERPROOF SCREW

5. TO ACCESS ARROW LOCK REMOVE PARCEL LOCK COVER 91259 USING TWO (2) 84993 10-32 X .312 SCREWS

REMOVE OR REPLACE PARCEL LOCK COVER 91259 USING TWO (2) 84993 10-32 X .312 McGARD SCREWS

6. TO REMOVE/REPLACE 910A LOCK, SEE INSTRUCTIONS PAGE 22

3. TO REMOVE/REPLACE ARROW LOCK:

A. REMOVE FOUR (4) 86091 10-32 LOCK NUTS - REMOVE ARROW LOCK

B. REPLACE NEW ARROW LOCK - REPLACE FOUR (4) 86091 10-32 LOCK NUTS

4. TO REMOVE/REPLACE ARTICULATED LATCH:

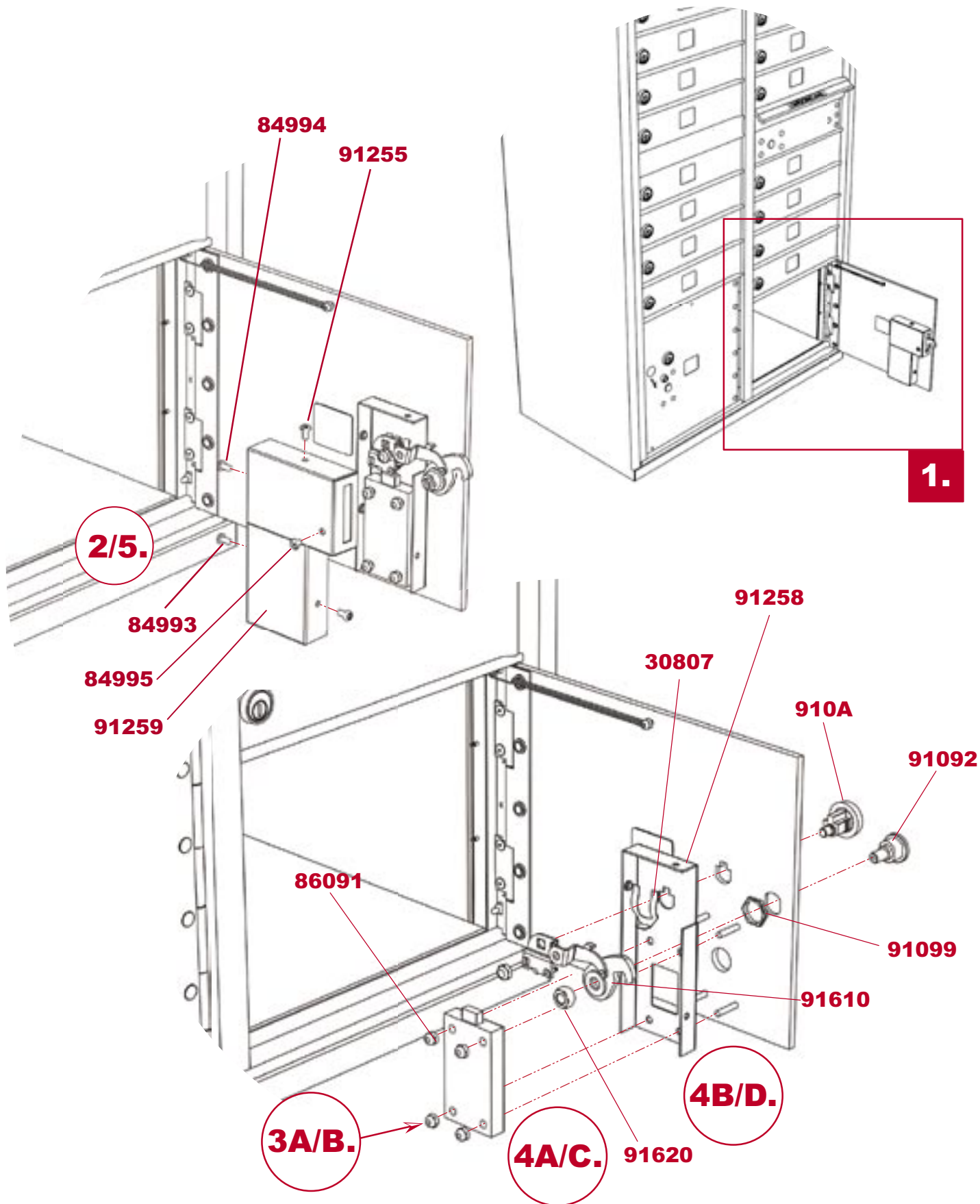
A. REMOVE ONE (1) 1/4-20 LOCK NUT (INCLUDED IN 910A ASSEMBLY)

B. REMOVE ONE (1) 91620 3/8-24 HEX NUT

REQUIRED TOOLS
PORTABLE POP RIVET GUN
PORTABLE DRILL
1/8" DRILL BIT
TORX HEAD SCREWDRIVER/BIT
9/16" SOCKET WRENCH
7/16" SOCKET WRENCH
3/8" SOCKET WRENCH

PART #	DESCRIPTION
84993	10-32 X .312 McGARD SCREW
84994	10-32 X .375 1-WAY SCREW
84995	8-32 x .250 1-WAY SCREW
86091	#10-32 LOCK NUT
910A	910A CUSTOMER DOOR LOCK
91092	PARCEL DOOR BEARING
91099	PARCEL DOOR LOCK PLUG NUT
91255	COVER - LATCHING ASSEMBLY
91258	PARCEL LOCK MOUNTING PLATE
91259	COVER - ARROW LOCK
91610	LOCK ASSEMBLY - PARCEL
91620	3/8-24 HEX NUT
91910N	1/4-20 LOCK NUT

REPLACEMENT OF PARCEL LOCK ASSEMBLY



REPLACEMENT OF PARCEL DOOR SPRING TYPES I, II, III AND IV

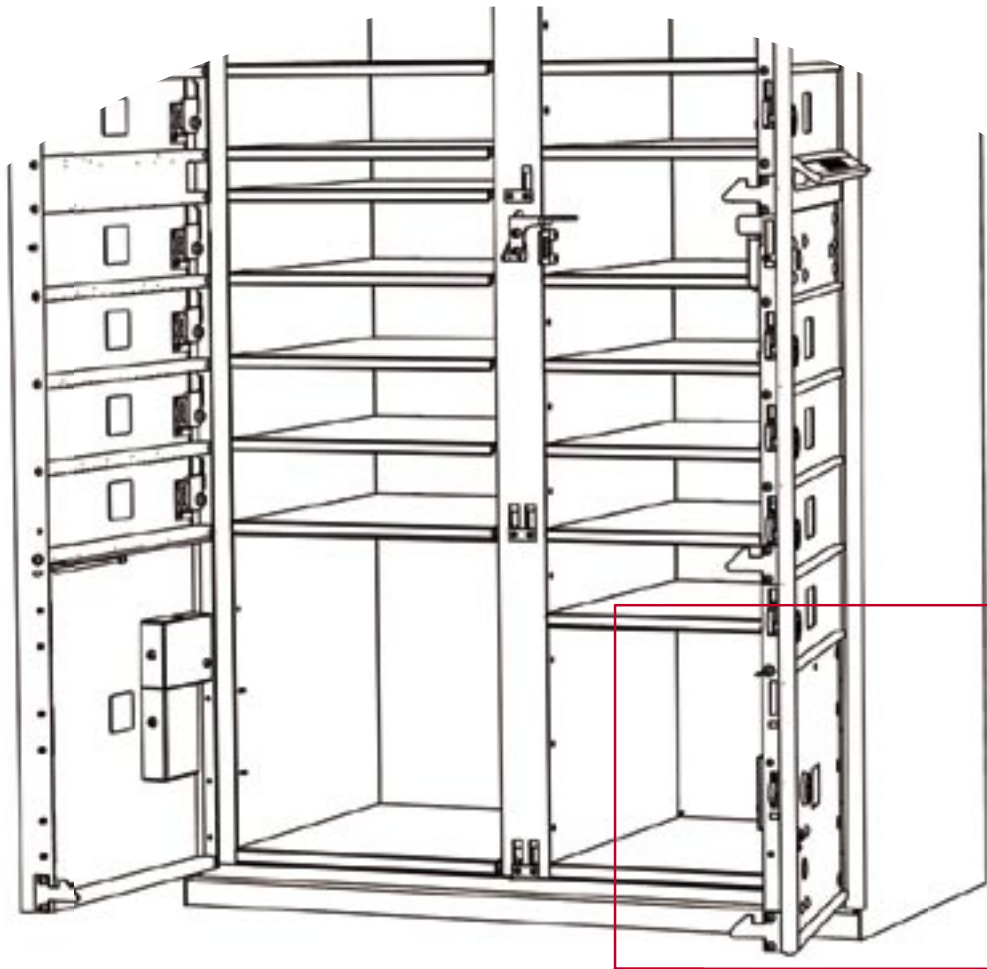
- 1.** *OPEN MASTER LOADING DOOR*

- 2.** *PLACE ONE END OF PARCEL DOOR SPRING 86431 OVER THREADED POST ON PARCEL DOOR AND TIGHTEN 86091 #10-32 LOCK NUT*

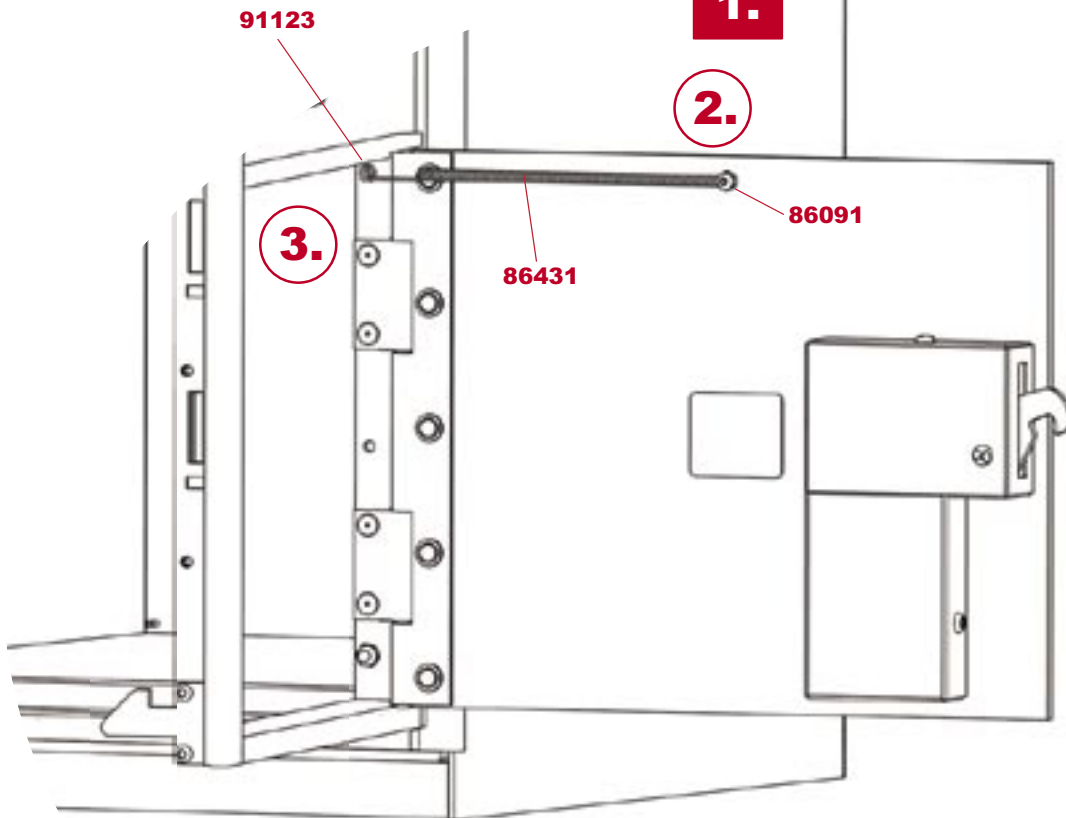
- 3.** *INSERT OPPOSITE END OF SPRING THROUGH 91123 #8-32 X 0.5 TAPTITE TORX HEAD SCREW AND TIGHTEN TO FRAME AS SHOWN*

<i>REQUIRED TOOLS</i>	<i>PART #</i>	<i>DESCRIPTION</i>
HAMMER	86091	#10-32 LOCK NUT
PORTABLE DRILL	86431	PARCEL DOOR SPRING
PLIERS	91123	#8-32 x 0.5 TAPTITE TORX HEAD
3/8" SOCKET WRENCH		

REPLACEMENT OF PARCEL DOOR SPRING



1.



REPLACEMENT OF SHELF

TYPES I, II, III AND IV

- 1.** OPEN MASTER LOADING DOORS

- 2.** DISENGAGE HOLD OPEN MECHANISMS FROM TOP OF MASTER LOADING DOORS (SEE INSTRUCTIONS PAGE 4)

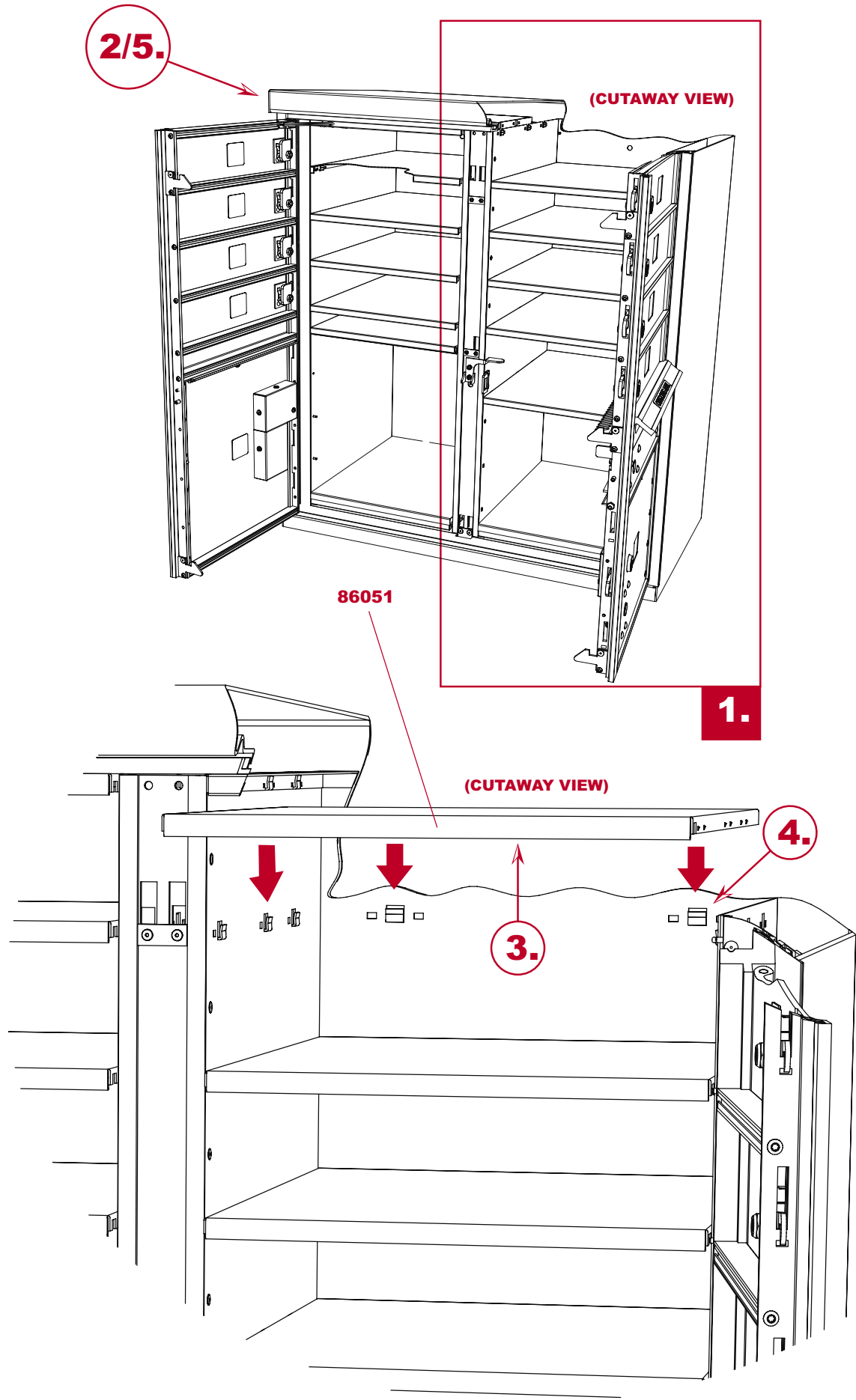
- 3.** WITH A HAMMER APPLY FORCE UNDERNEATH THE SHELF TO BE REMOVED, DISLODGING IT FROM THE METAL SNAPS HOLDING IT TO THE INSERT PANEL. LIFT AND PULL TOWARD FRONT OF CBU

- 4.** TO REPLACE THE SHELF, PLACE IT ABOVE THE METAL SNAPS, ALIGN IT FRONT TO BACK, AND APPLY FORCE WITH A HAMMER TO SNAP THE SHELF BACK INTO PLACE

- 5.** REPLACE HOLD OPEN MECHANISM AND CLOSE MASTER LOADING DOORS.

REQUIRED TOOLS	PART #	DESCRIPTION
HAMMER	86051	SHELF
TORX HEAD SCREWDRIVER		
PLIERS		

REPLACEMENT OF SHELF



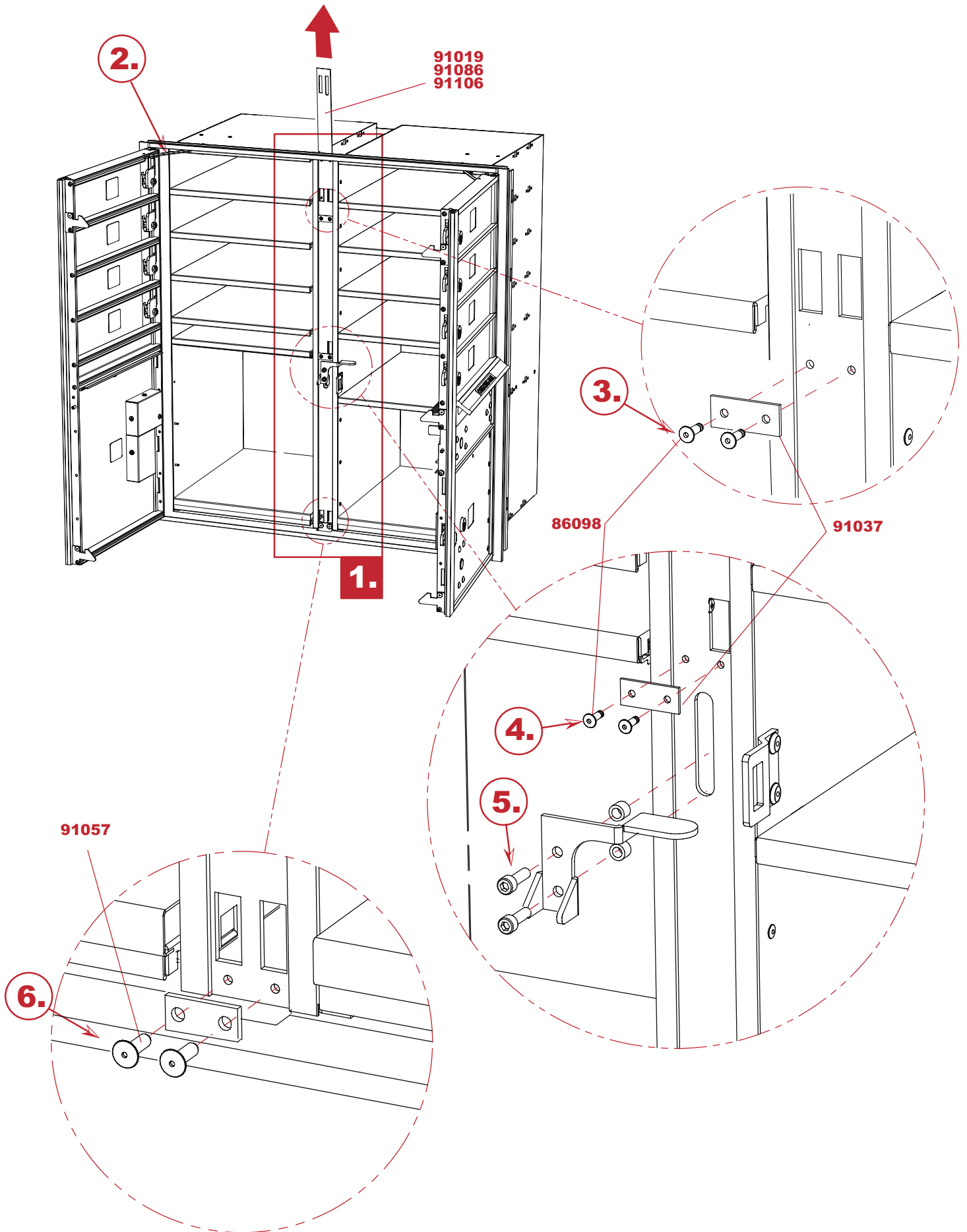
REPLACEMENT OF MASTER LOADING DOOR SLIDE MECHANISM TYPES I, II, III AND IV

- 1.** OPEN MASTER LOADING DOORS
- 2.** DISENGAGE HOLD OPEN MECHANISMS FROM TOP OF MASTER LOADING DOORS (SEE INSTRUCTIONS PAGE 4)
- 3.** DRILL OUT TWO (2) 86098 1/8" POP RIVETS AT TOP OF SLIDE MECHANISM AND REMOVE 91087 WEAR PLATE
- 4.** DRILL OUT TWO (2) 86098 1/8" POP RIVETS NEAR ARROW LATCH AND REMOVE 91087 WEAR PLATE
- 5.** REMOVE ARROW LATCH (SEE INSTRUCTIONS PAGE 26)
- 6.** DRILL OUT TWO (2) 91057 3/16" POP RIVETS AT BOTTOM OF SLIDE MECHANISM AND REMOVE 91037 WEAR PLATE
- 7.** REPLACE SLIDE MECHANISM AND REVERSE STEPS 1-5

REQUIRED TOOLS
CORDLESS DRILL
PORTABLE POP RIVET GUN
1/8" DRILL BIT
3/16" DRILL BIT
8-32 HEX REMOVAL BIT/ALLEN WRENCH

PART #	DESCRIPTION
86098	1/8" DIA X .328" L POP RIVET SS
91019	SLIDE MECH. FOR TYPE III
91037	WEAR PLATE
91057	3/16" DIA X .55" L POP RIVET SS
91086	SLIDE MECH FOR TYPE I, II
91106	SLIDE MECH FOR TYPE IV

REPLACEMENT OF A MASTER LOADING DOOR SLIDE MECHANISM



REPLACEMENT OF PEDESTAL TYPES I, II, III AND IV

- 1.** OPEN MASTER LOADING DOORS

- 2.** REMOVE LEFT AND RIGHT SIDE 91079 FLOATING SHELVES, EXPOSING MOUNTING HOLES

- 3.** PLACE UNIT ON PEDESTAL

- 4.** FROM UNDERNEATH UNIT, INSERT FOUR (4) 86101 3/8-16 X 1.25 CARRIAGE BOLTS UPWARD

- 5.** FROM ABOVE BOTTOM SHELVES, ADD FOUR (4) 86097 3/8" X .688 OD LOCK WASHER AND TIGHTEN FOUR (4) 86089B 3/8-16 HEX NUTS

- 6.** REPLACE LEFT AND RIGHT SIDE 91079 FLOATING SHELVES

REQUIRED TOOLS		PART #	DESCRIPTION
9/16" SOCKET WRENCH		86089B	3/8-16 HEX NUT
TORX HEAD SCREWDRIVER/BIT		86097	3/8" X .688 OD LOCK WASHER
		86101	3/8-16 X 1.25 CARRIAGE BOLT
		91079	FLOATING SHELF
		91505	PEDESTAL FOR TYPE III, IV
		91510	PEDESTAL FOR TYPE I, II

REPLACEMENT OF A PEDESTAL

