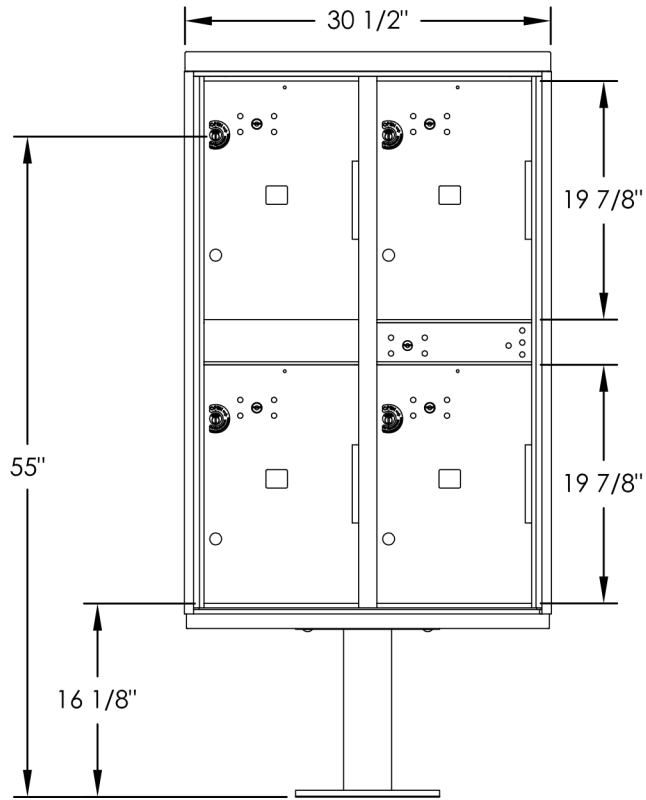
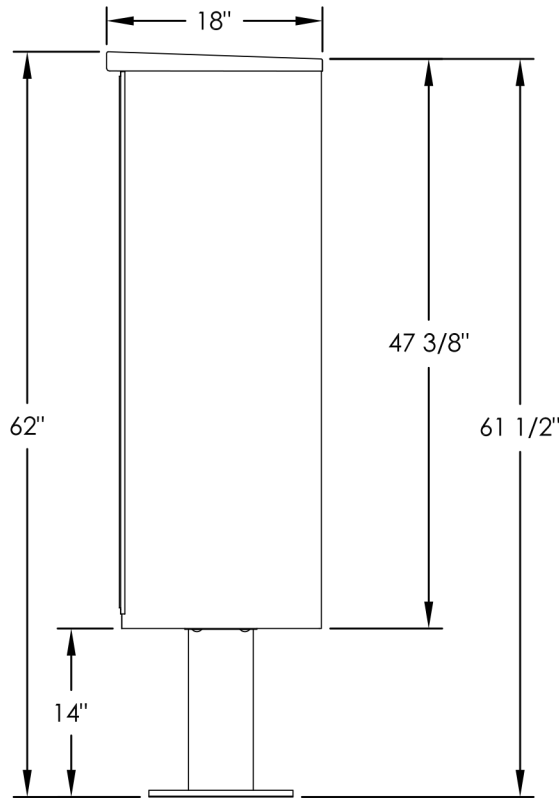


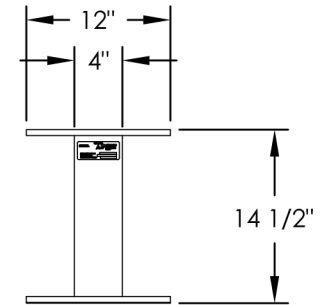
valiant™ Outdoor Parcel locker - Type II



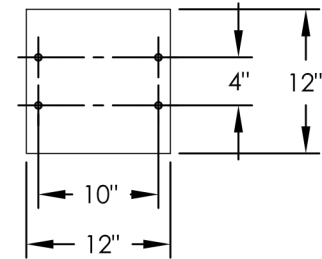
FRONT VIEW



SIDE VIEW



PEDESTAL



PEDESTAL BASE
BOLT PATTERN

DOOR CHART

DOOR Type	DIMENSION (HEIGHT x WIDTH)
PARCEL	19 7/8"x12-13/16"

NOTES:

1. This unit is approved for USPS and private applications.
2. Decorative mailbox accessories sold separately and are USPS Approved products.
3. OPL pedestal should be installed with included Rubber Pad; mounting hardware not included, refer to installation manual for recommendations.
4. Florence is the only approved manufacturer of OPL units.

PRODUCT SERIES: valiant™ OUTDOOR PARCEL LOCKER			
 BudgetMailboxes Best Brands. Best Prices. .COM WebLife Stores LLC PO Box 20338, Panama City Beach, FL 32417 www.budgetmailboxes.com • (866) 707-0008	MODEL 1590-T2	REV A	
	SCALE NONE	LAST REV DATE 9/26/2012	
	DRAWING NUMBER 1590-T2CS	DRAWN BY AFD	