



**Auth-Florence  
Manufacturing**

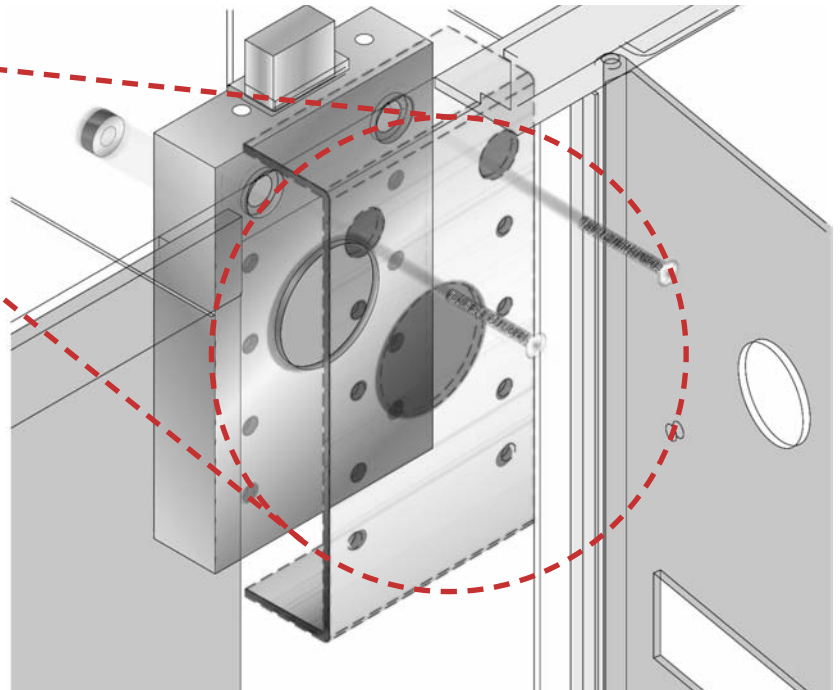
5935 Corporate Drive, Manhattan, KS 66503  
Phone: 800-275-1747 • Fax: 800-275-5081  
Web: www.auth-florence.com

**A USPS STRATEGIC PARTNER**

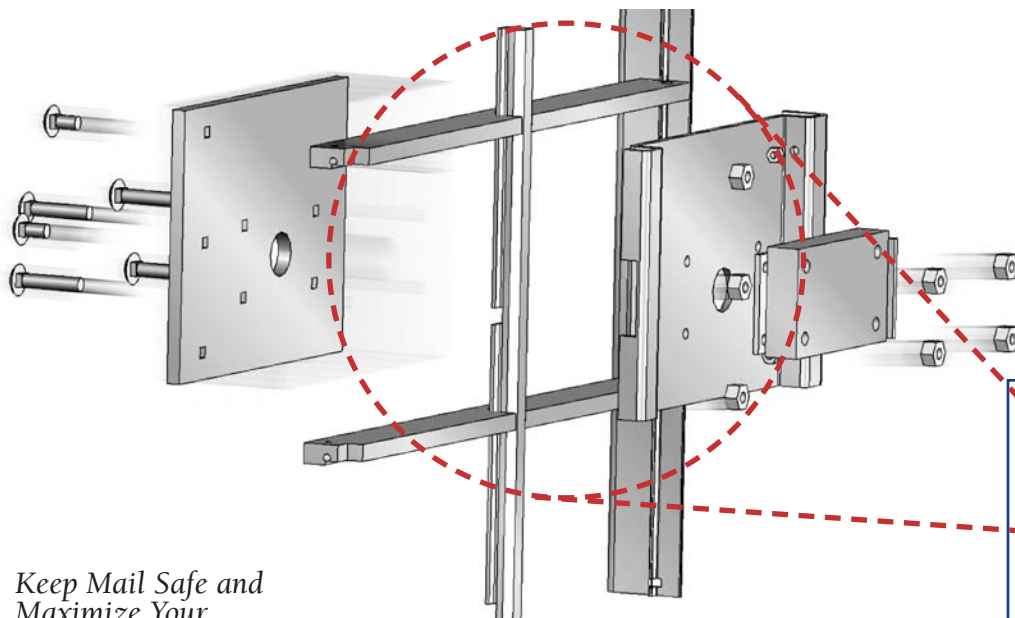
## Auth-Florence Security Upgrade Kits

*The Solution to Apartment Mailbox Security*

- Improves lock strength and resistance to the most common methods of attack
- Far exceeds current mailbox safety standards
- Kits are designed to harden both the Postal Arrow Lock and Master Gate Doors
- Easy to install, takes only a few tools and a little time
- USPS Approved
- Protects mailboxes against tampering & theft, helping reduce identity theft



*Easy to Follow  
Instructions Are Included!*



*Keep Mail Safe and  
Maximize Your  
Mailbox Investment.*

**SECURITY UPGRADE**



## Auth-Florence Security Upgrade Kits Now Available

### MODEL NUMBERS & SPECIFICATIONS

## 1250 *vertical mailboxes*

#### MOUNTING

- Surface-mounted

#### DOOR SIZE

- 16" H x 5-1/2" W

#### COMPARTMENT SIZE

- 16-1/2" H x 5" W x 6" D

#### STANDARD FINISHES

- Anodized aluminum

#### LOCKS

- 5-pin cylinder locks with 2 keys

#### DOOR IDENTIFICATION

- Boxes must be identified from left to right in numerical or alphabetical order
- Tenant name card holder standard

#### OPTIONAL FEATURES

- Directory required in installations with 15 or more mailboxes
- Doorbell pushbuttons
- Engraved doors

#### USPS APPROVED

- Auth-Florence Vertical Mailboxes are approved by the United States Postal Service to Standard 4B+



**12506HA  
6 Tenant  
Mailboxes**



#### Vertical Mailbox Model Numbers

Number of Compartments	Model Number
3	12503HA
4	12504HA
5	12505HA
6	12506HA
7	12507HA

## 1400 *horizontal mailboxes*

#### STANDARD FEATURES

- Grouped in combinations of 5, 6 or 7 compartments high and 3, 4 or 5 compartments wide
- 5-pin cylinder cam lock with 2 keys
- Clear plastic number slots
- Anodized aluminum finish
- Recess-mounted only

#### OPTIONAL FEATURES

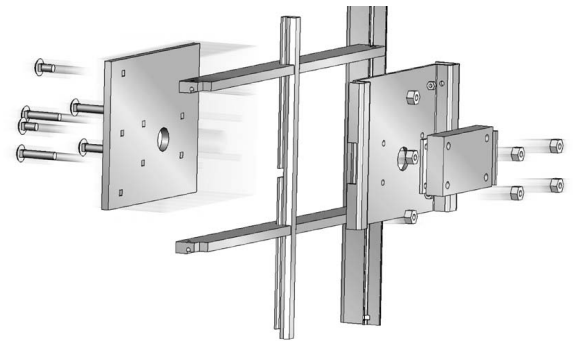
- Matching snap-on trim kit
- 5/8"-high engraved numbers with or without black fill numbers
- Engraved tabs for number slots

#### USPS APPROVED

- Auth-Florence Horizontal Mailboxes are approved by the United States Postal Service to Standard 4B+



**Model 1400  
(Front-loading)**



## 1575 *cluster box units* (original 1118-E USPS Spec)

#### STANDARD FEATURES

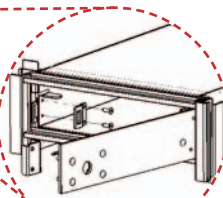
- Units available in 8, 12, 13, or 16 mail compartment configurations, with 1 or 2 parcel lockers available
- 5-pin cylinder cam locks with 2 keys
- 15-1/2" deep compartments

#### HIGH LEVEL OF SECURITY

- .100" thick welded aluminum protective outer cabinet
- .125" - .250" thick aluminum doors
- 5-pin cam locks with spring loaded covers



**Model 1575  
(16 Box Unit)**



Kit replaces existing Arrow Lock Door

#### Security Upgrade Approval Status

USPS Approval	Model Number
✓	1250
✓	1400
✓	1403
✓	1575 (type I)
✓	1575 (type II)
✓	1575 (type III)
✓	1575 (type IV)

