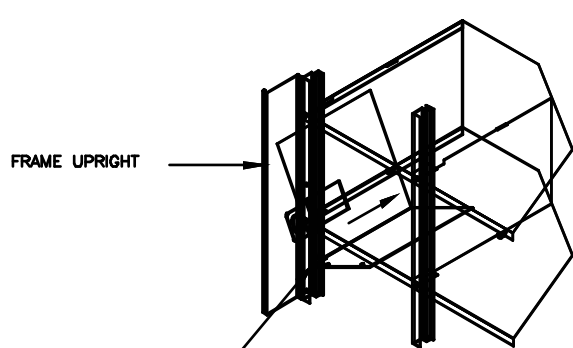
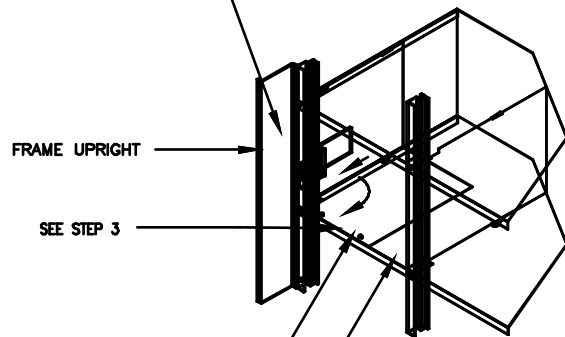


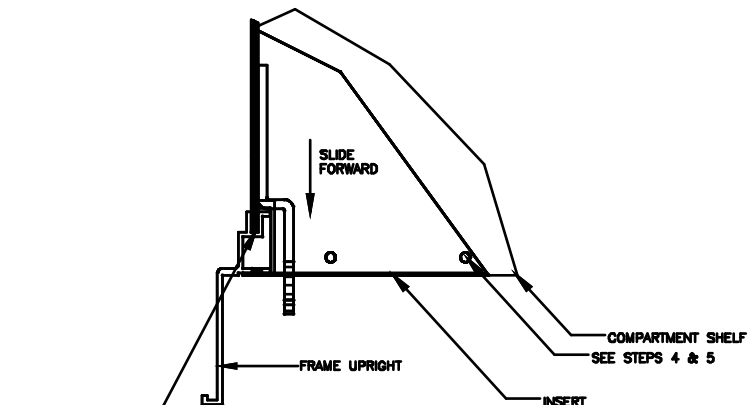
INSTALLATION INSTRUCTION FOR ARROW LOCK DOOR SECURITY KIT
FOR AUTH-FLORENCE 1400 SERIES HORIZONTAL MAILBOX
 (KIT #KL14700)
 (INSERT INSTALLATION)



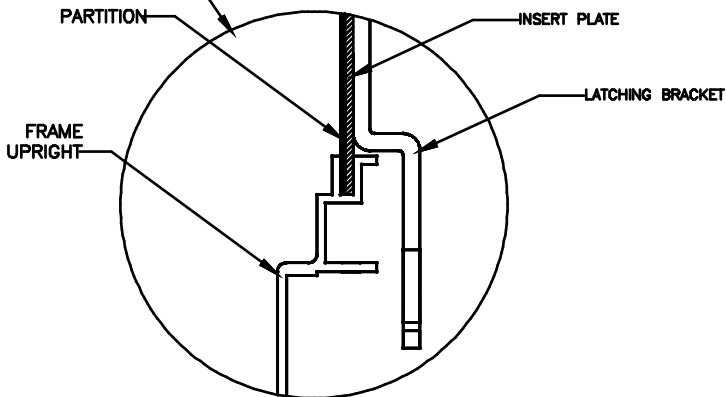
IMPORTANT!!!!!!!
 MAKE SURE SIDE OF INSERT
 SLIPS COMPLETELY INTO
 FRAME UPRIGHT GROOVE



PARTIAL FRONT VIEW
LEFT HAND SIDE



TOP VIEW OF INSERT RESTING IN FINAL POSITION



INSERT INSTALLATION NOTES:

- (1) TO BEGIN, REMOVE EXISTING LATCHING BRACKET.
- (2) AT AN ANGLE, PLACE INSERT INTO THE MAILBOX COMPARTMENT (SEE ILLUSTRATION). AS THE INSERT IS PLACED INTO THE COMPARTMENT, ROTATE IT TO THE VERTICAL POSITION AND FLAT ONTO THE COMPARTMENT SHELF.
- (3) MOVE THE INSERT FORWARD AND TO THE LEFT (SEE ILLUSTRATION), MAKING SURE THAT THE FRONT EDGE OF THE INSERT IS EVEN WITH THE EDGE OF THE DIVIDER PLATE.
- (4) USING THE INSERT AS A TEMPLATE, DRILL (2) HOLES (#30 DRILL) THRU THE COMPARTMENT SHELF.
- (5) PLACE RIVETS (INCLUDED) FROM THE TOP INTO HOLES TO SECURE INSERT TO COMPARTMENT SHELF



BudgetMailboxes
 Best Brands. Best Prices. .COM

WebLife Stores LLC
 PO Box 20338, Panama City Beach, FL 32417
 www.budgetmailboxes.com • (866) 707-0008