

Plastic Lockers – 92000 Series

Models 92168 & 92368 Double Tier

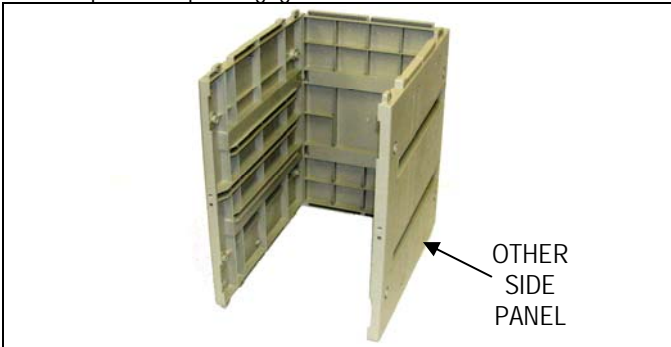
Assembly Instructions

Thank you for selecting Salsbury 92000 Series Plastic Lockers. We are confident that the quality and construction of the lockers will prove to be a good investment. These instructions are intended to assist you in the assembly of the lockers. Individual job conditions will dictate whether the lockers must be anchored to the wall, the floor, or both. *Please read the entire assembly instruction document before beginning assembly.*

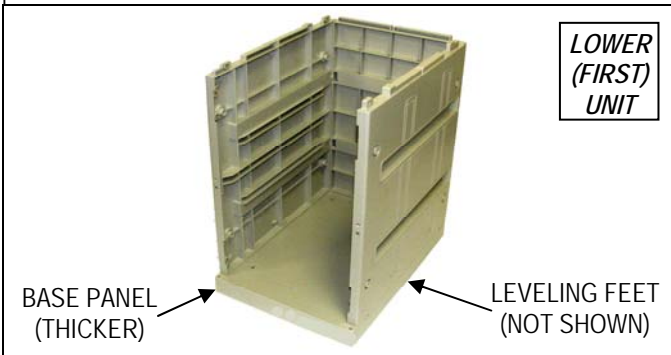
Step 1. Insert the back panel tabs into the pockets along the rear edge of the side panel. Tap with soft mallet to engage two (2) latch points.



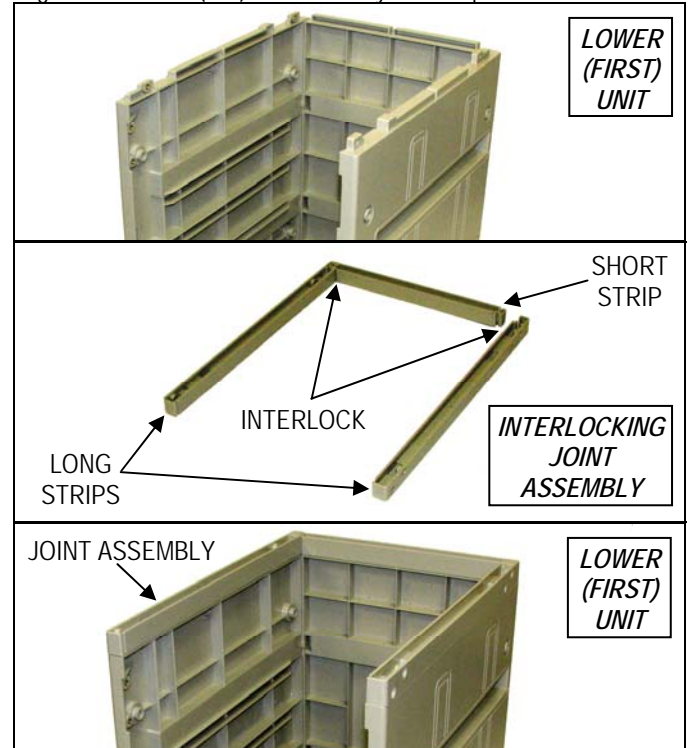
Step 2. Press another side panel onto the tabs on the other side of the back panel. Tap to engage as above.



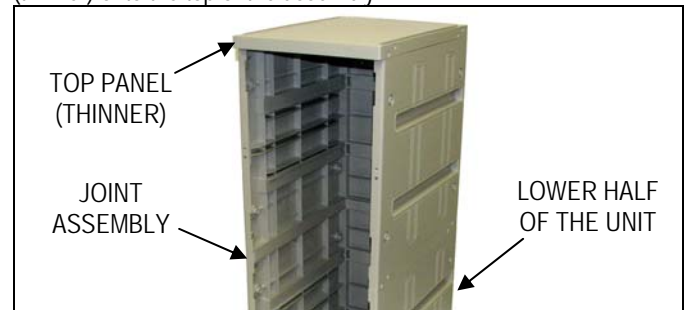
Step 3. Join and press down the sides-and-back-panel assembly from step 2 above into the base panel as shown below. The base panel is the thicker of the three (3) horizontal panels provided. Then thread four (4) leveling feet provided into the bottom of the base panel.



Step 4. Join two long interlocking plastic joint pieces and one short interlocking plastic joint piece into a U-shaped assembly as shown below. Press the U-shape assembly down onto the U-shaped top edges of the lower (first) unit assembly from step 3.



Step 5. Assemble a second unit per Steps 1 and 2. Press this assembly into the joint assembly on the top of the lower half of the unit from Step 4 above. Then press down one of the two top panels (thinner) onto the top of the assembly.

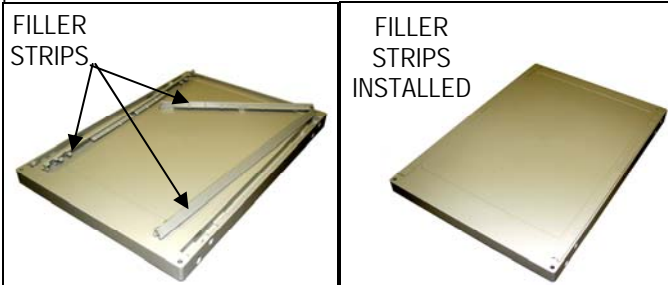


Plastic Lockers – 92000 Series

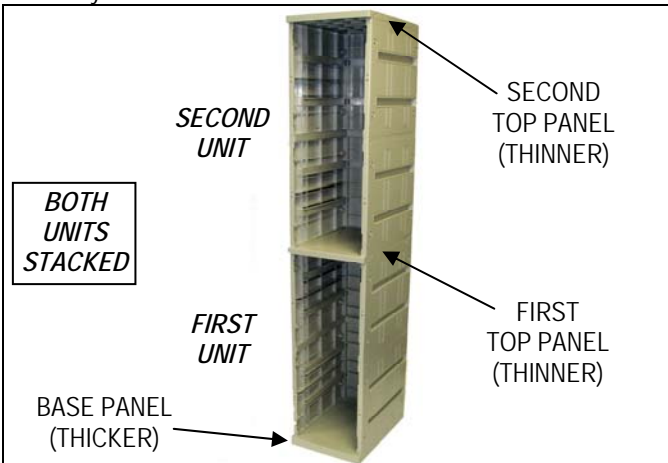
Models 92168 & 92368 Double Tier

Assembly Instructions

Step 6. If no optional sloping hood is ordered, install the three filler strips into the recesses in the top of the remaining (second) top panel.



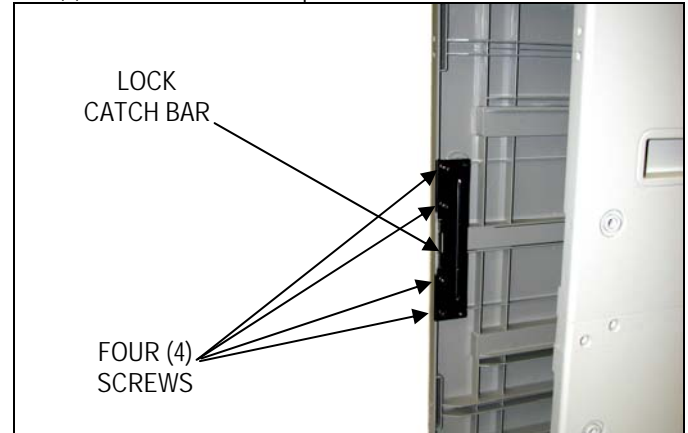
Step 7. Assemble a second compartment per steps 1 through 5 except without a base panel and using the second top panel with the filler strips installed. This unit will not have leveling feet. Stack this second unit onto the first unit as shown below. Use a mallet if necessary.



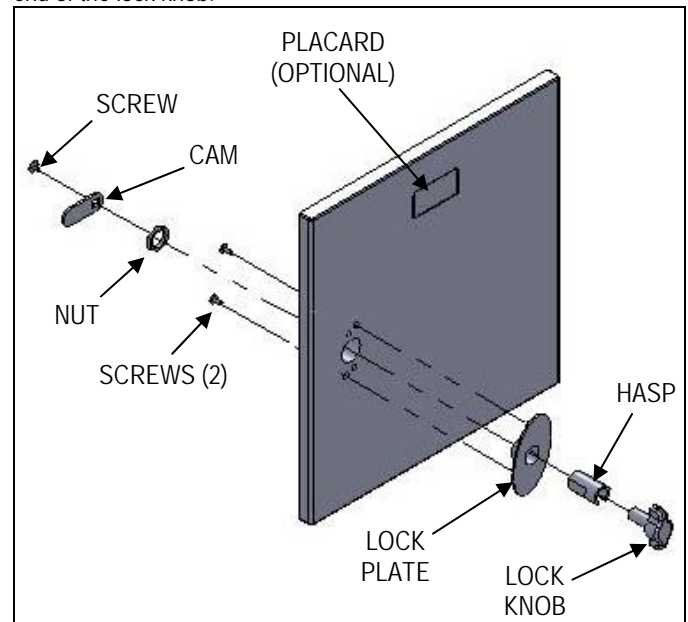
Step 8. Install screws and hole covers where side panels join to top panels and base panel. There are 18 screws and hole covers on each side of the two sides of the assembly (36 in total).



Step 9. Install a lock catch bar at the center of each of the two (2) compartments, on the left front inside edge of the side panel with the four (4) short flathead screws provided.



Step 10. Attach the plastic oval lock plate to the front of the two (2) doors with two (2) screws from the rear of the door. Insert the stainless steel hasp through hole in front of doors making sure cutout is facing downward. Secure by threading nut provided onto it from rear. Insert lock knob through hasp from front of door making sure hole in lock knob is facing downward. Attach cam to rear of lock knob shaft with screw provided. Be sure the cam is pointing toward the outside of the door and is properly engaged with the square shaft end of the lock knob.



Plastic Lockers – 92000 Series

Models 92168 & 92368 Double Tier

Assembly Instructions

Step 11. Fasten the eight (8) hinges (four (4) for each of the two (2) doors) provided in the hardware package securely to each hinge position with the screws provided as shown below. Fasten each of the two (2) doors to the appropriate set of hinges.



Step 12. Install coat rods by pressing ends into locating tabs near top of compartment. Use the locating tabs behind the stiffener rib.



Step 13. Slide the shelves (optional) into the slots in the locker side panels. There are six (6) slots available for shelves in each of the two (2) compartments.



Step 14. Install the sloping hood (optional) to the top of each locker column by aligning six (6) locating tabs with the topmost panel. Press locating tabs into place. Illustration shows sloping hood before pressing tabs into place. Plastic filler strips shown in Step 6 are not required on units with a sloping hood and can be discarded.



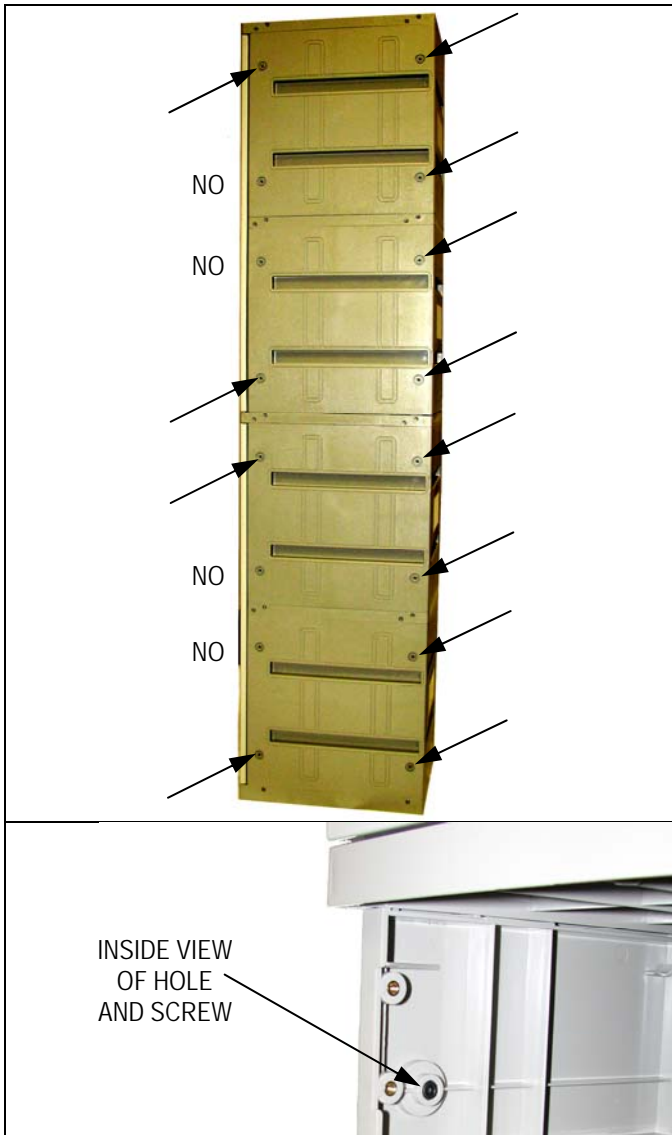
Plastic Lockers – 92000 Series

Models 92168 & 92368 Double Tier

Assembly Instructions

Step 15. Install placards (optional) in the indentation near the top of each door.

Step 16. If two (2) or more lockers are to be installed side by side, the lockers should be fastened together with the four (4) nuts and long screws provided. Select two (2) available holes toward the front and any two (2) holes toward the rear. The illustration below shows the 12 holes that are available. The lower illustration shows the inside view of a hole and screw.



The assembly of the plastic lockers is now complete.