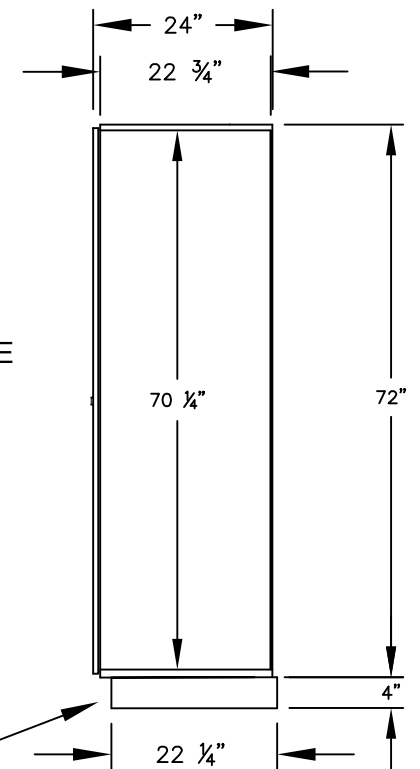


(NOTE: SOLID OAK EXECUTIVE LOCKER SHOWN WITHOUT SIDE PANEL OR CROWN MOLDING. PLEASE ORDER SEPARATELY.)

**MODEL #11364**  
**16" WIDE SINGLE TIER SOLID OAK EXECUTIVE WOOD LOCKER – 3 WIDE**

(3) LOCKER COMPARTMENTS  
 EACH COMPARTMENT:  
 14-3/4" W x 70-1/2" H x 22-3/4" D

**SIDE VIEW**



(BASES ARE MADE OF INDUSTRIAL GRADE PARTICLEBOARD AND ARE COVERED IN A DURABLE BLACK LAMINATE. PLEASE SET BASE TO ALLOW 5/8" BETWEEN THE BACK OF THE LOCKER AND THE WALL FOR AIR VENTILATION.)

**MODEL #11364**

16" WIDE SINGLE TIER  
 SOLID OAK EXECUTIVE WOOD LOCKER  
 SIX FEET HIGH (ADD 4" FOR BASE)

AVAILABLE FINISHES:  
 LIGHT OAK, MEDIUM OAK OR DARK OAK

DRAWN: 3/2020

***Established in 1936, Salsbury Industries is the industry leader in manufacturing and distributing quality lockers.***