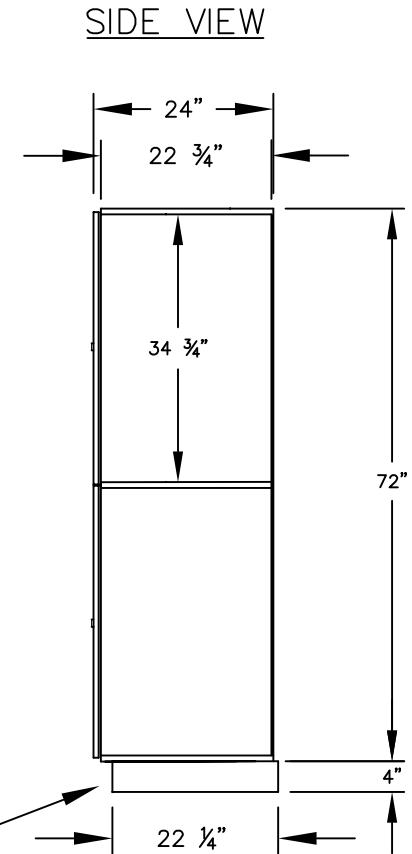


**MODEL #12164**  
**16" WIDE DOUBLE TIER SOLID OAK**  
**EXECUTIVE WOOD LOCKER – 1 WIDE**

(2) LOCKER COMPARTMENTS  
 EACH COMPARTMENT:  
 14-3/4" W x 34-3/4" H x 22-3/4" D

(NOTE: SOLID OAK EXECUTIVE  
 LOCKER SHOWN WITHOUT SIDE  
 PANEL OR CROWN MOLDING.  
 PLEASE ORDER SEPARATELY.)



(BASES ARE MADE OF INDUSTRIAL GRADE  
 PARTICLEBOARD AND ARE COVERED IN A  
 DURABLE BLACK LAMINATE. PLEASE SET  
 BASE TO ALLOW 5/8" BETWEEN THE BACK OF  
 THE LOCKER AND THE WALL FOR AIR  
 VENTILATION.)

**MODEL #12164**

16" WIDE DOUBLE TIER  
 SOLID OAK EXECUTIVE WOOD LOCKER  
 SIX FEET HIGH (ADD 4" FOR BASE)

AVAILABLE FINISHES:  
 LIGHT OAK, MEDIUM OAK OR DARK OAK

DRAWN: 3/2020

***Established in 1936, Salsbury Industries is the industry  
 leader in manufacturing and distributing quality lockers.***