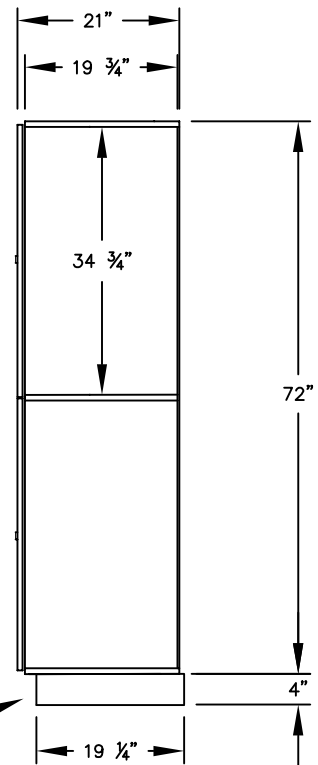


(NOTE: SOLID OAK EXECUTIVE LOCKER SHOWN WITHOUT SIDE PANEL OR CROWN MOLDING. PLEASE ORDER SEPARATELY.)

MODEL #12361  
 DOUBLE TIER SOLID OAK  
 EXECUTIVE LOCKER - 3 WIDE

(6) LOCKER COMPARTMENTS  
 EACH COMPARTMENT:  
 14 3/4" W x 34 3/4" H x 19 3/4" D

SIDE VIEW



(BASES ARE MADE OF INDUSTRIAL GRADE PARTICLEBOARD AND ARE COVERED IN A DURABLE BLACK LAMINATE. PLEASE SET BASE TO ALLOW 5/8" BETWEEN THE BACK OF THE LOCKER AND THE WALL FOR AIR VENTILATION.)

MODEL #12361

21" DEEP DOUBLE TIER  
 SOLID OAK EXECUTIVE LOCKER  
 SIX FEET HIGH (ADD 4" FOR BASE)

AVAILABLE FINISHES:  
 LIGHT OAK, MEDIUM OAK, DARK OAK

DRAWN: 03/12

***Established in 1936, Salsbury Industries  
 is the industry leader in manufacturing and distributing  
 quality lockers and storage solutions.***